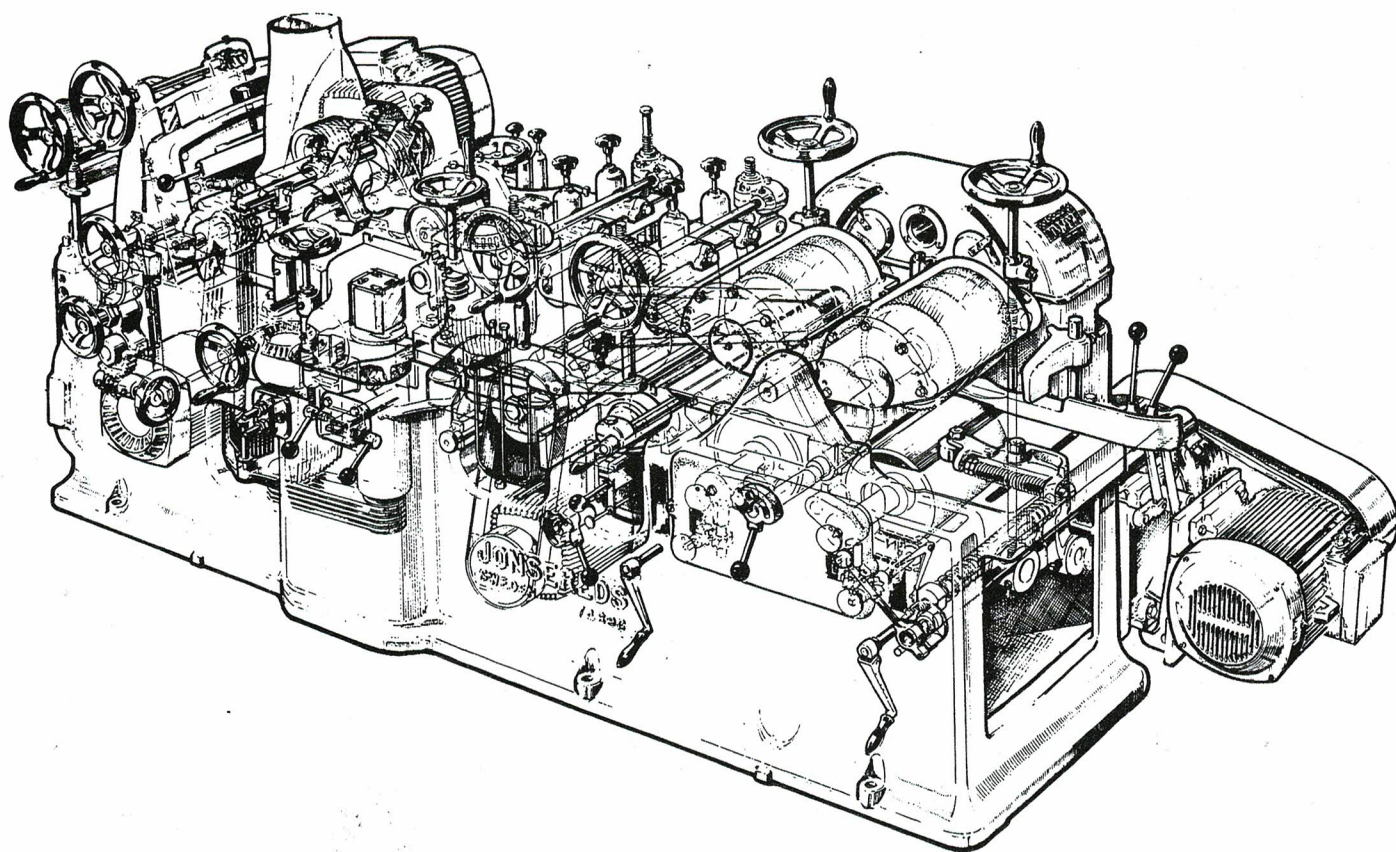


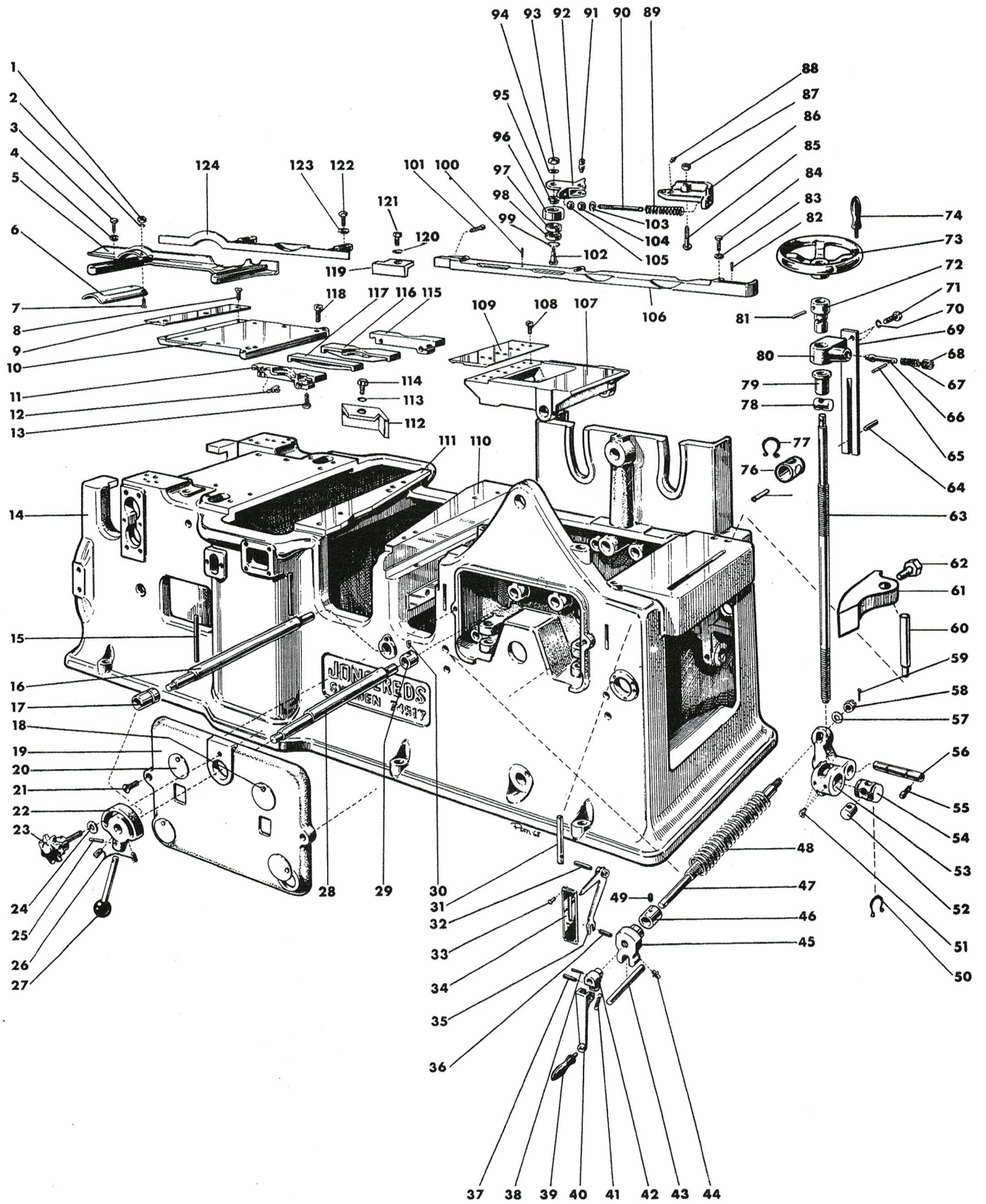
Planer H-45K/Z



Contents:

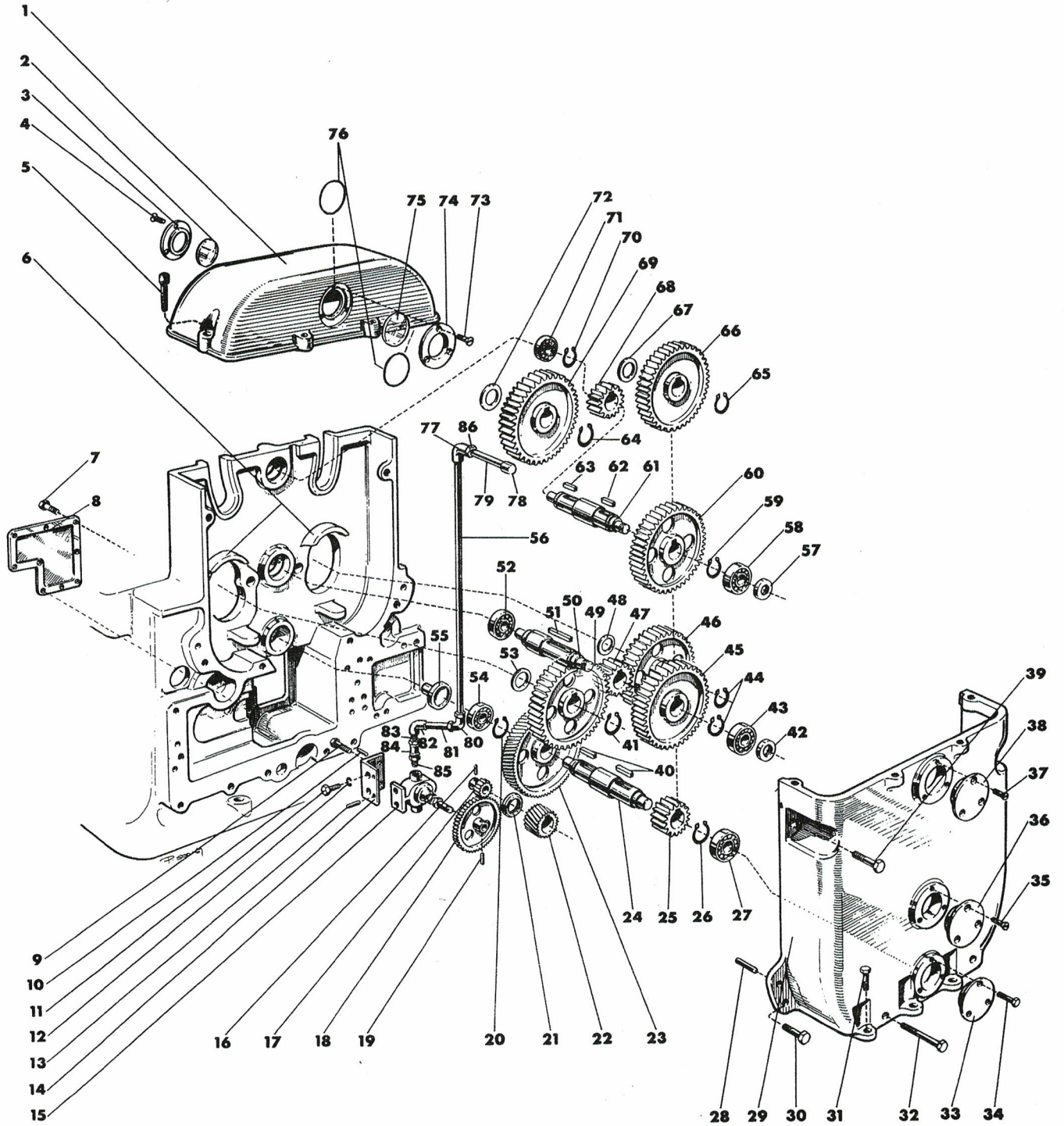
	<u>Page</u>		<u>Page</u>
Frame, table	2	Beading head	18
Gearbox	4	Top pressure	20
Gearbox	6	Top pressure	20
Feed rollers	8	Top pressure	24
Bottom head	10	Chip chopper	26
Side head, front	12	Rotating multi-knife head	28
Side head, rear	14	List of tables	30
Top head	16		

Frame, table



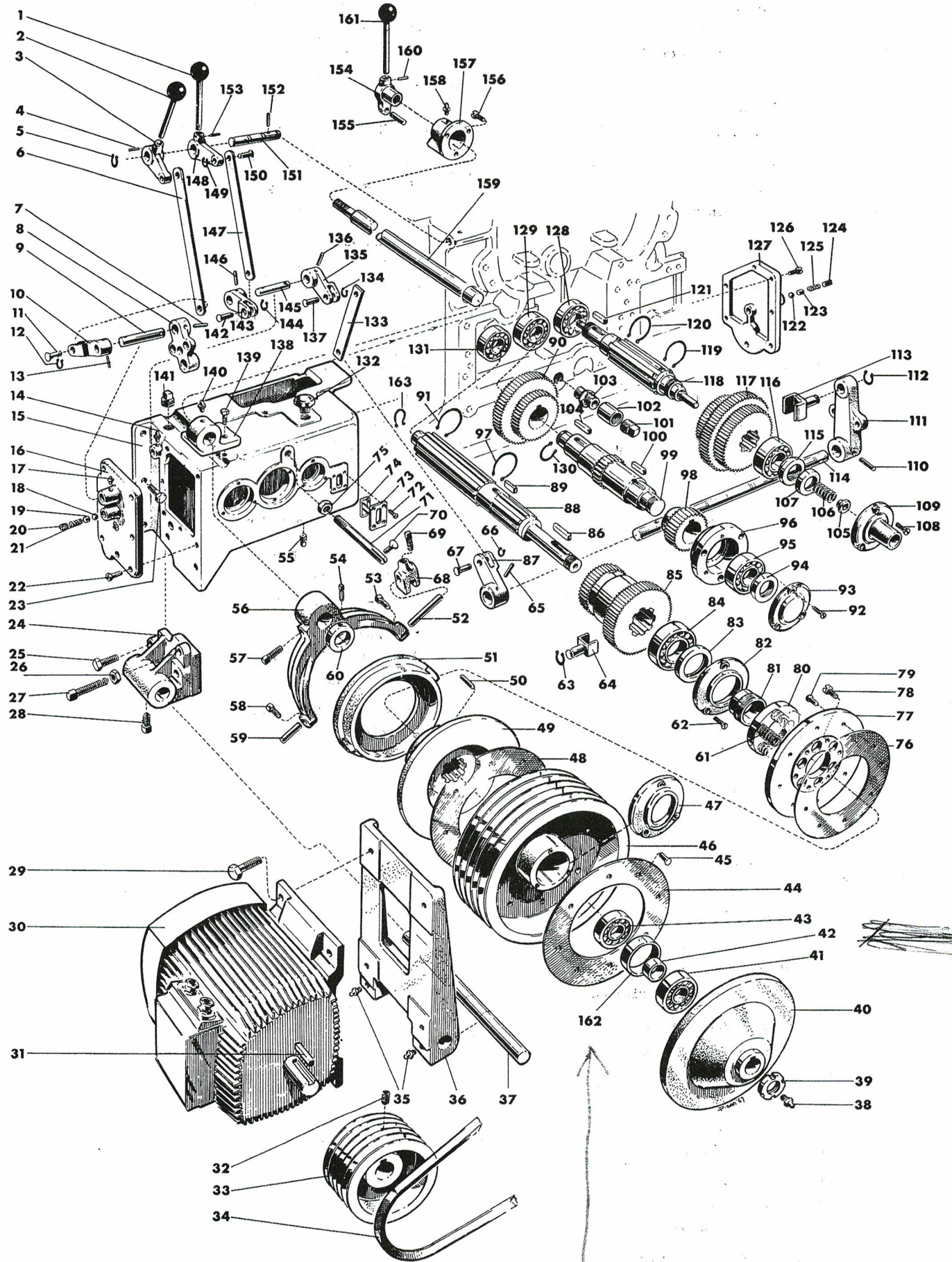
1	LB6LM-8 Nut	53	HC-32C Bell crank, right HC-31G Bell crank, left	104	LB6M-16 Nut
2	FBB-8,2 Spring washer	54	HC-43B Pivot pin, lower	105	LB6M-16 Nut
3	B6LS-16x60 Bolt	55	T4SS-16x50 Stop screw	106	HN-1-1 Fence
4	TBRB-17x34 Washer	56	HC-20M Shaft	107	HA-10 G Roller table
5	HN-9-13 Fence	57	BRB-25x45 Washer	108	ECS-10x25 Bolt
6	HN-49 Guard	58	B6KM-24 Nut	109	HA-3--30 Table plate
7	FS-8x25 Bolt	59	SP-5x40 Cotter pin	110	(see picture of bottom head)
8	FS-12x30 Bolt	60	HM-2F Pin	111	HA-42E Knife box table
9	HA-23-12 Table plate	61	HM-1K Stop to prevent double feed	112	HN-13L Block
10	HA-14D Top head table	62	B6LS 16x40 Screw	113	TBRB 16,5-34 Washer
11	HA-21N Front side head table	63	HC-3-3 Pressure rod	114	B6LS 16x35 Bolt
12	HA-92 Bolt	64	FRP-6x24 Elastic hollow pin	115	HA-22 G Rear side head table
13	B6LS-16x45 Bolt	65	FRP-3x24 Elastic hollow pin	116	HA-21 P Side head table
14	220 Frame	66	HC-62 Stop	117	HA-20 L Side head table
15	HD-25A Pin	67	Spf-0,75-8x25-8 V Helical spring	118	ECS-16x45 Bolt
16	HD-26A Eccentric shaft	68	HC-63 Nut	119	HN-4G Block
17	HD-51 Sleeve	69	HC-57A Guide rail	120	TBRB 16,5x34 Washer
18	ECS-5x19 Bolt	70	FBB-6,1 Spring washer	121	B6LS 16x45 Bolt
19	HA-26S Cover	71	B6LS-6x19 Bolt	122	B6LS-16x60 Bolt
20	HA-29D Cover	72	HC-58A Stop sleeve	123	TBRB-17x34 Washer
21	FS-10x40 Bolt	73	NR-220x18 Handwheel	124	HN-3-5 Fence
22	HD-27D Sector	74	Handle 90		
23	R6M-12 Star knob with stud bolt	75	FRP-6x24 Elastic hollow pin		
24	TBRB-13x28 Washer	76	HC-43A Pivot pin, upper		
25	FRP-4x28 Elastic hollow pin	77	SgA-65 Circlip		
26	S6SS-12x22 Stop screw	78	HC-1 U Nut		
27	100x12 Ball lever	79	HC-59 Sleeve		
28	HA-93 Eccentric shaft	80	HC-56B Stop housing, right HC-56C Stop housing, left		
29	HA-94 Bush	81	FRP-5x36 Elastic hollow pin		
30	S6SS-10x16 Stop screw	82	GKP-8x8x70 Threaded taper pin		
31	HC-55A Holder	83	TBRB-17x34 Washer		
32	NS-10x42 Pin	84	B6LS-16x80 Bolt		
33	Plate pin	85	RB-20x120 Rail bolt		
34	HC-53B Scale	86	HLN-60A Side pressure bracket		
35	HC-54 Pointer, left HC-54A Pointer, right	87	B6M-20 Nut		
36	FRP-8x28 Elastic hollow pin	88	SnD6 Lubricating nipple		
37	CP-8x35 Cyl. pin	89	Spf-4,5-20x195-28 V Helical spring		
38	KP-5x36 Taper pin	90	HLN-28 Pressure rod		
39	Handle 90	91	HLN-29 Stud		
40	HC-30A Crank	92	HLN-61 Link		
41	HC-60 Tension spring	93	LB6LM-16 Nut		
42	HC-30B Crank hub	94	FBB-16,2 Washer		
43	CP-20x200 Cyl. pin	95	HLN-64 Washer		
44	SnD6 Lubricating nipple	96	HLN-62 Pressure roll		
45	HC-15E Nut, right HC-15G Nut, left	97	SKF-6203 Z Ball bearing		
46	HC-24K Sleeve	98	SKF-6203 Z Ball bearing		
47	HC-13U Pressure bolt	99	SgH-40 Retaining ring		
48	Spf-13-50x500-22 V Helical spring	100	GKP-8x8x70 Taper pin		
49	S6SS-6x8 Stop screw	101	T4SS-10x45 Bolt		
50	SgA-65 Circlip	102	HLN-63 Pin		
51	SnBKR 1/8" Lubricating nipple	103	BRB-17x30 Washer		
52	HC-1V Nut				

Gearbox



1	HA-25 X Gearbox case	55	HA-37 Cap
2	∅ 89x6 Window	56	HB-41 Y Oil pipe
3	HA-28 F Filler cap	57	KM-30x1,5 V Ball bearing nut
4	FS-6x19 Bolt	58	SKF-6306 Ball bearing
5	EC6S-12x60 Bolt	59	SgA-45 Retaining ring
6	HB-56 Splash guard with bolt	60	HB-6 M Gear
7	B6LS-8x30 Bolt	61	HB-31-9 Shaft
8	HA-95A Cover	62	RK-14x50 Flat key
9	B6LS-8x40 Bolt	63	RK-14x50 Flat key
10	FRP-4x20 Elastic hollow pin	64	SgA-45 Retaining ring
11	B6LS-8x19 Bolt	65	SgA-45 Retaining ring
12	FBB-8,2 Washer	66	HB-10 T Gear
13	FRP-4x15 Elastic hollow pin	67	BRK-45x55 Washer
14	HB-45 J Bracket	68	HB-4 P Pinion
15	N55-18B Pump	69	HB-10 T Gear
16	KP-4x32 Taper pin	70	SgA-45 Retaining ring
17	HB-57 B Gear	71	SKF-6306 Ball bearing
18	HB-57 A Gear	72	BRK-45x55 Washer
19	FRP-4x24 Elastic hollow pin	73	FS-6x19 Bolt
20	SgA-45 Retaining ring	74	HA-28 F Cap
21	KM-45x1,5 H Ball bearing nut	75	∅ 89x6 Window
22	HB-1-2 Pinion	76	89x71x1,5 Rubber ring
23	HB-3 y Gear	77	3/8" Elbow
24	HB-30 Z Shaft	78	T2-3/8" Pipe socket
25	HB-4 P Pinion	79	HB-41 C Oil pipe
26	SgA-45 Retaining ring	80	3/8" Elbow
27	SKF-6306 Ball bearing	81	HB-41 M Oil pipe
28	CP-13x50 Cyl. pin	82	3/8" Elbow
29	107-104 Gearbox case	83	HB-41 Z Oil pipe
30	B6LS-16x60 Bolt	84	3/8" Pipe socket
31	B6LS-16x50 Bolt	85	N8-3/8" Pipe nipple
32	B6LS-16x150 Bolt	86	3/8" Pipe nut
33	B-72 Cap		
34	FS-6x19 Bolt		
35	FS-6x19 Bolt		
36	HA-37 A Cap		
37	FS-6x19 Bolt		
38	HA-37 A Cap		
39	B6LS-16x60 Bolt		
40	RK-14x50 Flat key		
41	SgA-45 Retaining ring		
42	KM-30x1,5 H Ball bearing nut		
43	SKF-6306 Ball bearing		
44	SgA-45 Retaining ring		
45	HB-5 Y Gear		
46	HB-10 T Gear		
47	HB-4 P Pinion		
48	BRK-45x55 Washer		
49	HB-10 T Gear		
50	HB-31-8 Shaft		
51	RK-14x100 Flat key		
52	SKF-6306 Ball bearing		
53	BRK-45x55 Washer		
54	SKF-6306 Ball bearing		

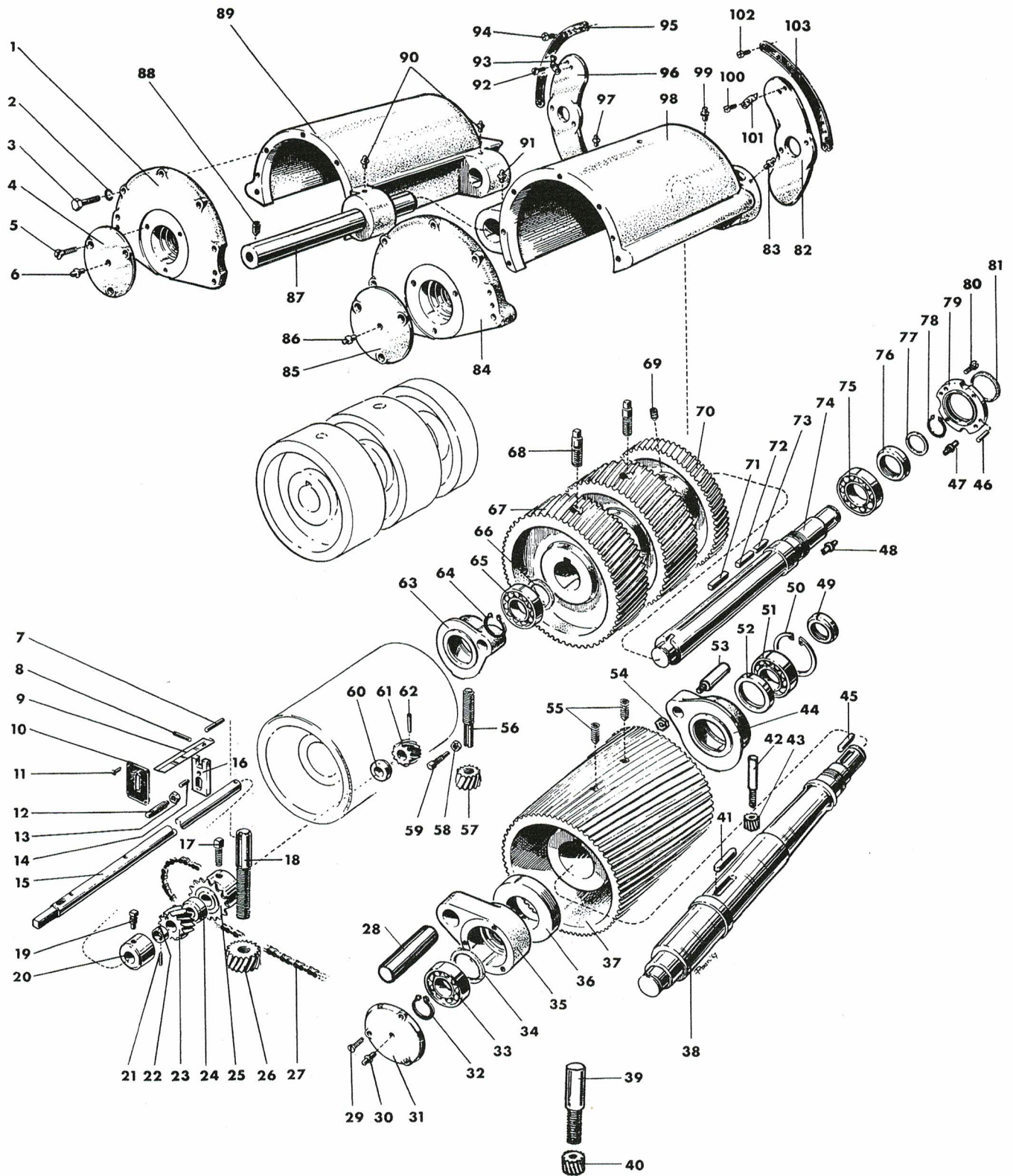
Gearbox



HP 60 E

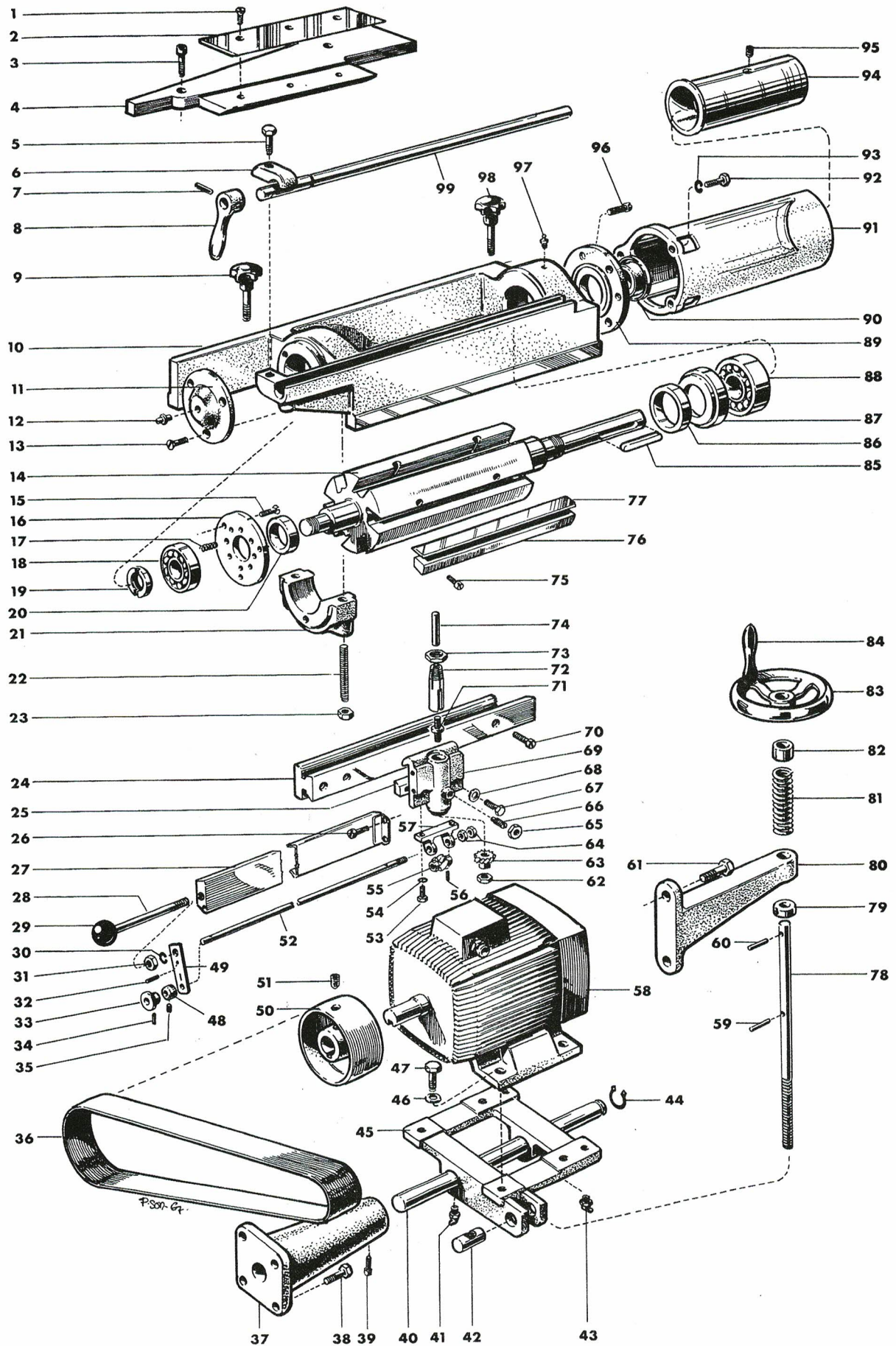
1	175x16 Ball lever	55	T8-1" Plug	109	HB-219 Bearing cap
2	HB-237 Lever	56	HP-59 A Clutch fork	110	KP-6x50 Taper pin
3	HB-236 Lever arm	57	T4SS-16x40 Stop screw	111	HB-225 Arm
4	FRP-4x32 Elastic hollow pin	58	T4SS-10x30 Stop screw	112	SgA-20 Retaining ring
5	SgA-20 Retaining ring	59	HP-82 A Pin	113	HB-227 Driver
6	HB-239 A Link	60	HP-58 J Nut	114	HB-230 Shaft
7	KP-5x40 Taper pin	61	Spf-4,5-20x60-8-winding helical spring	115	KM-40x1,5 H Ball bearing nut
8	HB-224 Arm	62	B6LS-10x30 Bolt	116	SKF-6308 Ball bearing
9	HB-229 Shaft	63	SgA-20 Retaining ring	117	HB-205 A Gear
10	HB-228 Arm	64	HB-226 Driver	118	HB-208 A Shaft
11	NS-12x32 Pin	65	KP-5x40 Taper pin	119	SgA-58 Retaining ring
12	SgA-12 Retaining ring	66	SgA-12 Retaining ring	120	SgA-58 Retaining ring
13	KP-5x40 Taper pin	67	NS-12x32 Stud	121	RK-14x60 Key
14	SnAM6 Lubricating nipple	68	HP-81 Guide claw	122	5/8" Ball (SKF)
15	207-71 Gearbox housing	69	T4SS-10x30 Stop screw	123	PHP-93 Spring plug
16	HB-222 Cover	70	8x15 Bolt	124	TMR-29 Spring bolt
17	SnAM6 Lubricating nipple	71	RT-200 Belt guard pin	125	Spf-2,5-10x43-10,5 V Helical spring
18	5/8" Ball (SKF)	72	FS-6x19 Bolt	126	ECS-10x35 Bolt
19	PHP-93 Spring plug	73	PA-41 Sight glass frame	127	HB-223 Cover
20	TMR-29 Spring bolt	74	PA-41 A Gasket with window pane	128	SKF-6309 Ball bearing
21	Spf-2,5-10x43x10,5 V Helical spring	75	LB6M-20 Nut	129	SKF-6309 Ball bearing
22	ECS-10x35 Bolt	76	463 Plate lining	130	SgA-45 Retaining ring
23	B6LS-16x50 Bolt	77	HP-53 L Washer	131	SKF-6308 Ball bearing
24	HP-80 Bearing	78	ECS-10x25 Bolt	132	HA-63 Plug
25	B6LS-16x80 Bolt	79	6x20 AL Rivet	133	HB-232 Link
26	LB6M-16 Nut	80	HP-58 H Nut	134	SgA-12 Retaining ring
27	T4SS-16x80 Bolt	81	HP-60 C Ring	135	HB-228 Arm
28	T4SS-16x35 Bolt	82	HB-217 Bearing cap	136	HB-233 Taper pin
29	B6LS-12x45 Bolt	83	6590 Stefa oil seal	137	NS-12x32 Stud
30	M160 MA 42-2 15 hp motor	84	SKF-6310 Ball bearing	138	HP-66 A Bearing
31	RK-12x90 Key	85	HB-201 B Gear	139	B6LS-12x40 Bolt
32	S6SS-12x22 Stop screw	86	RK-8x50 Key	140	SnD6 Lubricating nipple
33	47B5-180D Belt pulley	87	HB-228 A Arm	141	T8-1" Plug
34	68 B V-belt	88	HB-206 F Shaft	142	NS-12x32 Stud
35	SnB KR 1/8" Lubricating nipple	89	RK-8x20 Key	143	HB-228 Arm
36	HP-69-10 Motor bracket	90	HB-204 A Gear	144	SgA-12 Retaining ring
37	HP-77 A Pivot pin	91	SgA-58 Retaining ring	145	HB-231 Shaft
38	SnAKR 1/8" Lubricating nipple	92	FS-8x25 Bolt	146	Kp-5x40 Taper pin
39	HB-210 A Nut	93	G-90 F Bearing cap	147	HB-239 Link
40	HP-53V Clutch	94	KM-40x1,5 V Ball bearing nut	148	HB-236 Lever arm
41	SKF-NU306 Ball bearing	95	SKF-6308 Ball bearing	149	SgA-12 Retaining ring
42	NH-30x20 Sleeve	96	HB-218 Bearing housing	150	NS-12x32 Stud
43	SKF-NU306 Roller bearing	97	SgA-58 Retaining ring	151	HB-238 A Stud
44	310 Plate lining	98	HB-203 Gear	152	FRP-5x40 Elastic hollow pin
45	6x25 AL Rivet	99	HB-207 Gear shaft	153	FRP-4x32 Elastic hollow pin
46	HP-68 G Belt pulley	100	RK-14x50 Key	154	HP-56 G Female screw
47	BK-72-50,5 F Bearing cap	101	T8-1" Plug	155	FRP-10x50 Elastic hollow pin
48	310 Plate lining	102	M2-1" Sleeve	156	ECS-8x25 Bolt
49	HP-53 R Clutch	103	N8-1" Nipple	157	HP-56 H Nut
50	CP-10x40 Cyl. pin	104	RK-16x60 Key	158	SnD6 Lubricating nipple
51	HP-57 B Clutch collar	105	HP-19 G Washer	159	HP-55 H Coupling rod
52	HP-82 B Pin	106	HP-128 Helical spring	160	FRP-4x24 Elastic hollow pin
53	T4SS-10x30 Stop screw	107	3555 Stefa oil seal	161	175x16 Ball lever
54	T4SS-6x19 Stop screw	108	FS-8x25 Bolt	162	HP-60 E Sleeve
				163	SgA-40 Retaining ring

Feed rollers



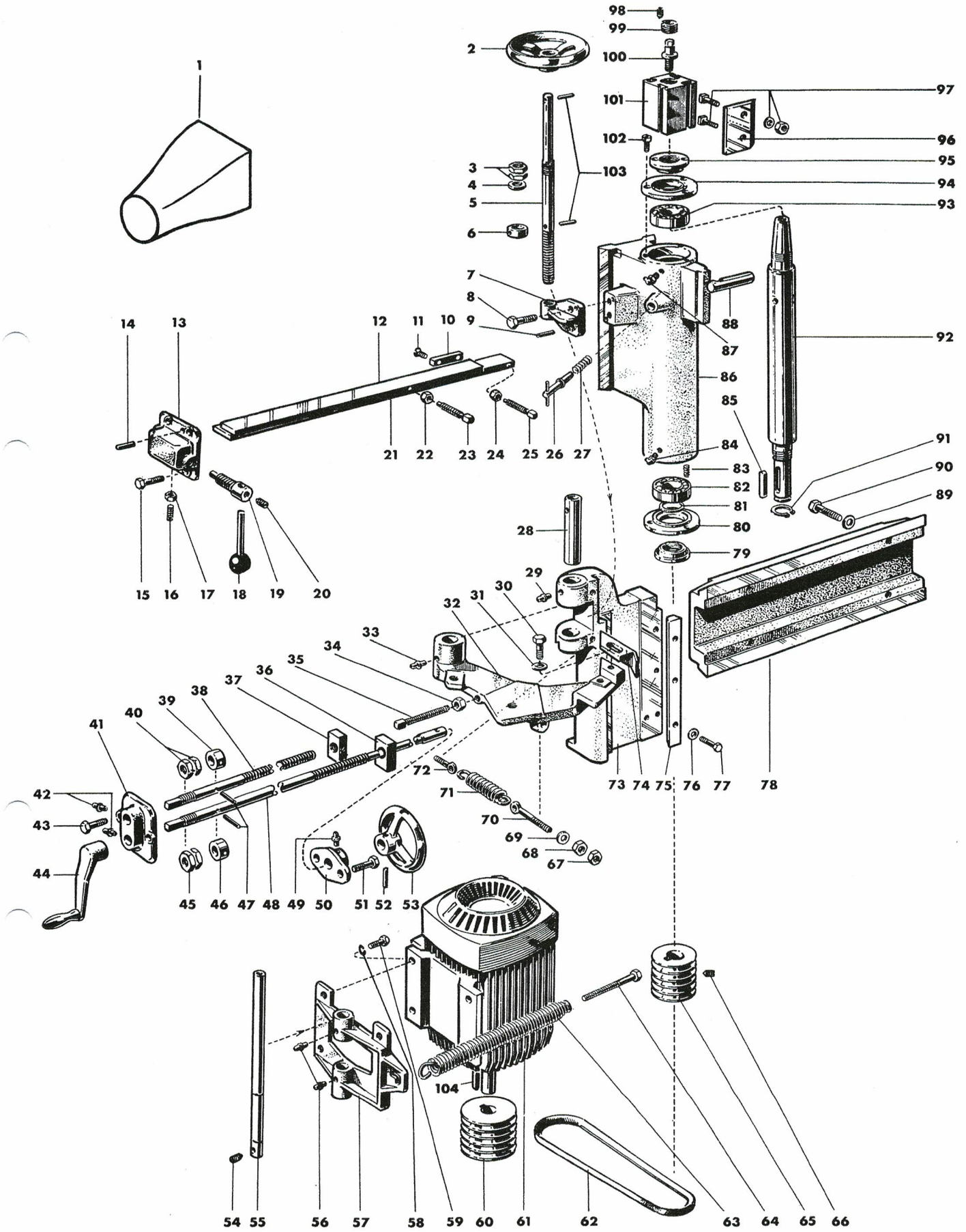
1	HB-68 A Case front end	53	HB-19 M Stud
2	FBB-13 Spring washer	54	SM 30x1,5 Nut
3	B6LS-12x40 Bolt	55	S6SS-12x30 Stop screw
4	B-80 F Cover	56	HB-36 P Supporting screw
5	FS-8x25 Bolt	57	HM-34 F Spiral gear
6	SnD6 Lubricating nipple	58	B6LM-10 Nut
7	FRP-4x18 Elastic hollow pin	59	HB-59 H Stop screw
8	CP-3x20 Cyl. pin	60	SRU-20 Stop ring
9	HB-63 Pointer	61	HB-49 Spiral gear
10	HB-62 Scale	62	KP-5x36 Taper pin
11	Plate pin	63	HB-12-12 Bottom roller bearing
12	T4SS-10x30 Adjusting screw	64	SgA-40 Retaining ring
13	B6LM-10 Nut	65	NU-208 Roller bearing
14	FRP-4x10 Elastic hollow pin	66	3x5x179 Felt gasket
15	HB-48 A Shaft	67	HB-22-3 Top feed roller, fluted H-22-10 Top feed roller, plain
16	HB-64 Bearing	68	HB-59 Stop screw
17	T4SS-12x25 Stop screw	69	S6SS 16x30 Stop screw
18	HB-36 K Supporting bolt	70	HB-22-2 Top feed roller, fluted HB-29-9 Top feed roller, plain
19	HB-59 B Stop screw	71	HB-35 H Key
20	HB-51 Coupling	72	HB-35 H Key
21	KP-5x26 Taper pin	73	GK-14x9x50 Key
22	HB-52 Stop ring	74	HB-34-8 Top roller shaft
23	HB-50 Spiral gear	75	SKF-6210 Ball bearing
24	SRU-20 Stop ring	76	KM-50x1,5 H Ball bearing nut
25	HB-53 A Sprocket wheel hub with sprocket ring	77	BRK-45x55 Washer
26	HM-34 F Spiral gear	78	SgA-45 Retaining ring
27	1/2" Bicycle chain with 88 links incl. coupling	79	HB-54 Bearing cap
28	HB-19 K Pin	80	ECS-8x25 Bolt
29	FS-8x25 Bolt	81	3x5x248 Felt gasket
30	SnD6 Lubricating nipple	82	HB-28-13 Seal cover
31	B-80 F Ball bearing cap	83	SnD6 Lubricating nipple
32	SgA-40 Retaining ring	84	HB-68 Case end face
33	SKF 2208 Ball bearing	85	B-80 F Cover
34	3x5x179 Felt gasket	86	SnD6 Lubricating nipple
35	HB-12-10 Bottom roller bearing	87	HB-32 U Hinge rod
36	HB-65 Oil seal	88	S6SS-16x30 Bolt
37	HB-21 U Bottom feed roller, plain HB-21 8 Bottom feed roller, fluted	89	HB-16 U Feed roller hinge
38	HB-33-4 Bottom roller shaft	90	SnD8 Lubricating nipple
39	HB-36 L Supporting bolt	91	SnD8 Lubricating nipple
40	HM-34 G Spiral gear	92	ECS-5x10 Ni Bolt
41	RK-14x70 Flat key	93	HB-43 F Pointer
42	HB-36 R Supporting bolt	94	ECS-5x10 Ni Bolt
43	HM-34 G Spiral gear	95	HB-43 D Scale
44	HB-12-11 Bottom roller bearing	96	HB-28-15 Seal cover
45	RK-14x50 Flat key	97	SnD8 Lubricating nipple
46	FRP-8x24 Elastic hollow pin	98	HB-15-10 Feed roller hinge
47	Spf-3-14x45-7 V Helical spring	99	SnD8 Lubricating nipple
48	RK-14x50 Flat key	100	ECS-5x10 Ni Bolt
49	KM-50x1,5 V Ball bearing nut	101	HB-43 F Pointer
50	SgH-90 Retaining ring	102	ECS-5x10 Ni Bolt
51	SKF-2210 Ball bearing	103	HB-43 E Scale
52	6080 Stefa oil seal		

Bottom head



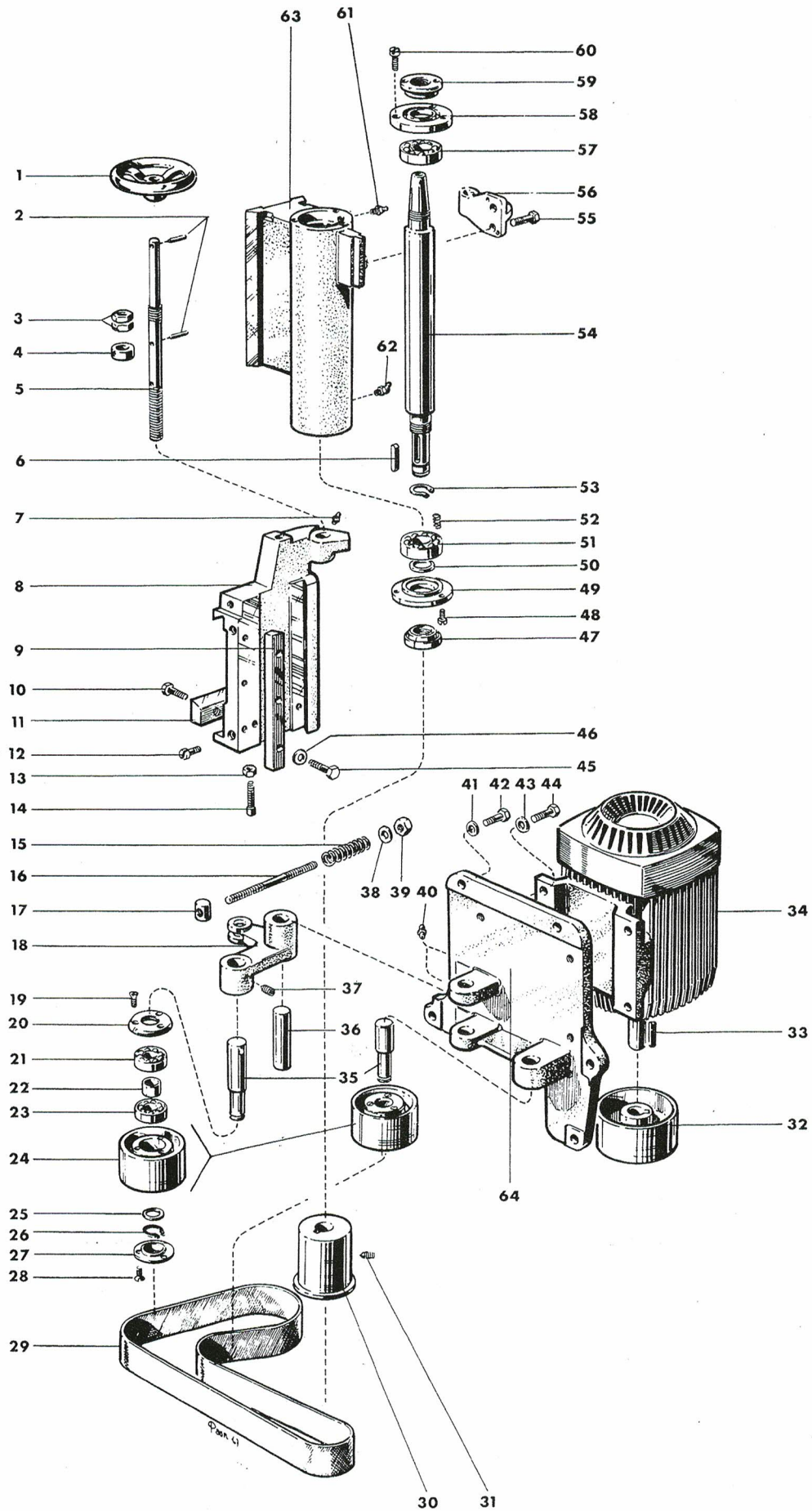
1 FS-12x30 Bolt	55 HF-78 Spiral gear
2 HA-30-16 Table plate	56 FRP 3x14 Elastic hollow pin
3 ECS-16x45 Bolt	57 HF-76 Bearing
4 HA-41 F Knife box table	58 M 132S 38-2 7.5 hp motor
5 B6LS-16x50 Bolt	59 KP-5x36 Taper pin
6 HD-35 D Clamping part	60 KP-5x40 Taper pin
7 KP-5x40 Taper pin	61 B6LS-16x45 Bolt
8 HD-5 C Handle	62 SM 12x1 Nut
9 R8S-16x100 Star knob	63 HF-77 Spiral gear
10 HD-1-17 Cutterhead frame	64 LB6LM 8 Nut
11 AK-90 F Ball bearing cap	65 SM 12x1 Nut
12 SnD6 Lubricating nipple	66 HF-82 Bolt
13 FS-8x25 Bolt	67 B6LS-8x30 Bolt
14 HD-13 X Knife spindle	68 BRB-8,4x16 Washer
15 B6LS-8x25 Bolt	69 HF-42E Trueing slide
16 HD-6 E Bearing cover	70 EC6S-12x45 Bolt
17 Spf-1,2-5x16-6 V Helical spring	71 HF-47B Adjusting screw
18 SKF-6308 Ball bearing	72 HF-43D Oilstone holder
19 KM-40x1,5 V Ball bearing nut	73 HF-44B Nut
20 TR-50 Oil seal	74 ϕ 5/8"x3" Oilstone
21 HD-20 R Bearing cap	75 MD-23C Bolt
22 PS-12x95 Stud bolt	76 HD-32F Clamp plate
23 B6LM-12 Nut	77 35x3x330 Knife
24 HF-41X Trueing beam	78 HP-72A Bolt
25 HF-45 D Slide part	79 SRU-20 Stop ring
26 ECS-6x16 Bolt	80 HP-137 Bearing
27 HF-68 Guard	81 Spf-5,5-22x85-10 V Helical spring
28 HF-53 E Lever	82 NH-20x20 Sleeve
29 Isolit ball 40	83 NR-170x20 Handwheel
30 FBB 12,2 Spring washer	84 Handle 65
31 LB6LM 12 Nut	85 RK-14x80 Key
32 FRP 4x14 Elastic hollow pin	86 TR-70 Oil seal
33 HF-48D Knob	87 HD-8H Bearing cover
34 FRP 3x14 Elastic hollow pin	88 SKF-6311 Ball bearing
35 PSS 4x6 Stop screw	89 HD-9D Bearing cover
36 75x2135 Endless belt	90 KK-55x2H Ball bearing nut
37 HP-131 A Support	91 HD-57 Belt guard
38 B6LS-16x45 Bolt	92 B6LS-8x30 Bolt
39 S6SS 12x22 Stop screw	93 FBB-8,2 Spring washer
40 HP-77B Shaft	94 HD-10T Belt pulley
41 SnCKR 1/8" Lubricating nipple	95 S6SS-12x22 Stop screw
42 TMR-89 Nut	96 ECS-10x25 Bolt
43 SnCKR 1/8" Lubricating nipple	97 SnBKR 1/8" Lubricating nipple
44 SgA-40 Retaining ring	98 R8S-16x100 Star knob bolt
45 HP-69-11 Motor bracket	99 HD-3-6 Eccentric shaft
46 FBB-10,2 Spring washer	HD-29E Chip hood
47 B6LS-10x35 Bolt	
48 HF-81 Scale	
49 HF-79 Step bearing	
50 HP-39U Belt pulley	
51 S6SS-12x22 Stop screw	
52 HF-80 Shaft	
53 B6LS 5x16 Bolt	
54 FBB 5,1 Spring washer	

Side head, front



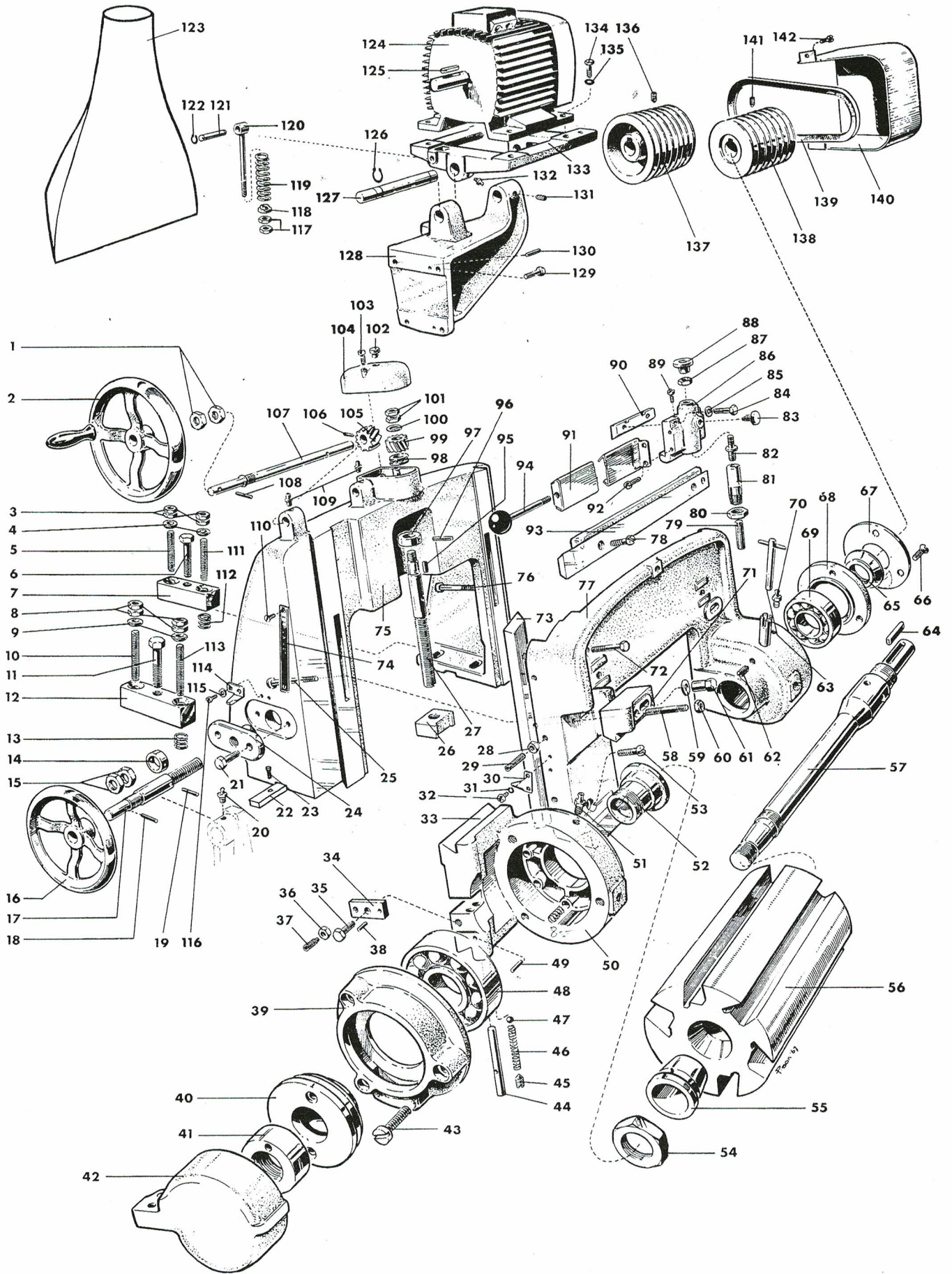
1	HE-23-5 Chip hood, left HE-24-4 Chip hood, right	53	NR-130x16 Handwheel
2	NR-175x18 Handwheel	54	S6SS-12x22 Stop screw
3	SM-20x1,5 Nut	55	HP-77C Shaft
4	BRB-21x40 Washer	56	SnD6 Lubricating nipple
5	HE-15U Bolt	57	HP-69-27 Motor bracket
6	SRU-20 Stop ring	58	FBB-12,2 Spring washer
7	HE-25C Nut	59	B6LS-12x45 Bolt
8	B6LS-12x40 Bolt	60	47A7-150B Belt pulley
9	FRP-6x28 Elastic hollow pin	61	M-160 MA 42-2 15 hp motor
10	HE-56 Block for lock bar	62	51 A V-belt
11	FS-6x19 Bolt	63	HP-135E Tension spring
12	HE-55E Lock bar	64	HP-136A Clamp bolt
13	HE-57A Cover	65	47A7-90B Belt pulley
14	FRP-10x32 Elastic hollow pin	66	S6SS-10x16 Stop screw
15	B6LS-12x40 Bolt	67	LB6LM-12 Nut
16	PS-10x30 Stud bolt	68	LB6LM-12 Nut
17	B6LM-10 Nut	69	BRB-13x22 Washer
18	100 x12 Ball lever	70	HN-33 Eyebolt
19	HE-59B Lock screw, left HE-59C Lock screw, right	71	HN-32 Tension spring
20	S6SS-8x10 Stop screw	72	HN-33A Eyebolt
21	HE-55D Lock bar	73	HE-4-1 Intermediate slide, front
22	LB6LM-16 Nut	74	HN-13L Block
23	T4SS-16x80 Adjusting screw	75	HE-27D Slide part
24	LB6LM-12 Nut	76	BRB-13x22 Washer
25	T4SS-12x80 Adjusting screw	77	B6LS-12x35 Bolt
26	20x85 Stop pin	78	HA-19X Side head slide
27	Spf9-10,5x65-10 V Helical spring	79	KK-40x1,5H Ball bearing nut
28	HE-12 Bush	80	H-90-60 Cover
29	SnD6 Lubricating nipple	81	BRK-40x49 Washer
30	B6LS-16x35 Bolt	82	SKF-6308 Ball bearing
31	TBRB-17x34 Washer	83	Spf-1,2-5x16-6 V Helical spring
32	HN-11L Chip breaker bracket	84	SnBKR 1/8" Lubricating nipple
33	SnD6 Lubricating nipple	85	RK-10x70 Key
34	LB6M-12 Nut	86	HE-1-6 Side head frame, front
35	T4SS-12x125 Adjusting screw	87	SnBKR 1/8" Lubricating nipple
36	HE-3D Nut	88	HA-66A Table support
37	HE-3D Nut	89	BRB-21x40 Washer
38	HA-31Y Bolt, side head, front	90	B6S-20x70 Bolt
39	SRU-20 Stop ring	91	SgA-35 Retaining ring
40	SM-20x1,5 Nut	92	HE-13-9 Side head spindle, front
41	HA-44E Washer	93	SKF-6308 Ball bearing
42	SnD6 Lubricating nipple	94	H-90-60 Cover
43	B6LS-12x40 Bolt	95	KK-40x1,5 V Ball bearing nut
44	B-VEV-130 Crank	96	524 A Planer knife
45	SM-20x1,5 Nut	97	KT-16x35 Cutter screw
46	SRU-20 Stop ring	98	FS-6x12 Bolt
47	KP-5x36 Taper pin	99	HE-18U Nut
48	HA-32U Bolt, rear side head	100	12-208 Bolt, left 12-208 A Bolt, right
49	SnD6 Lubricating nipple	101	HE-17-1 Side cutterblock, left HE-17-2 Side cutterblock, right
50	HLA-44E Bearing	102	ECS-8x19 Bolt
51	B6LS-10x30 Bolt	103	KP-5x36 Taper pin
52	KP-4x36 Taper pin	104	RK-12x90 Key

Side head, rear



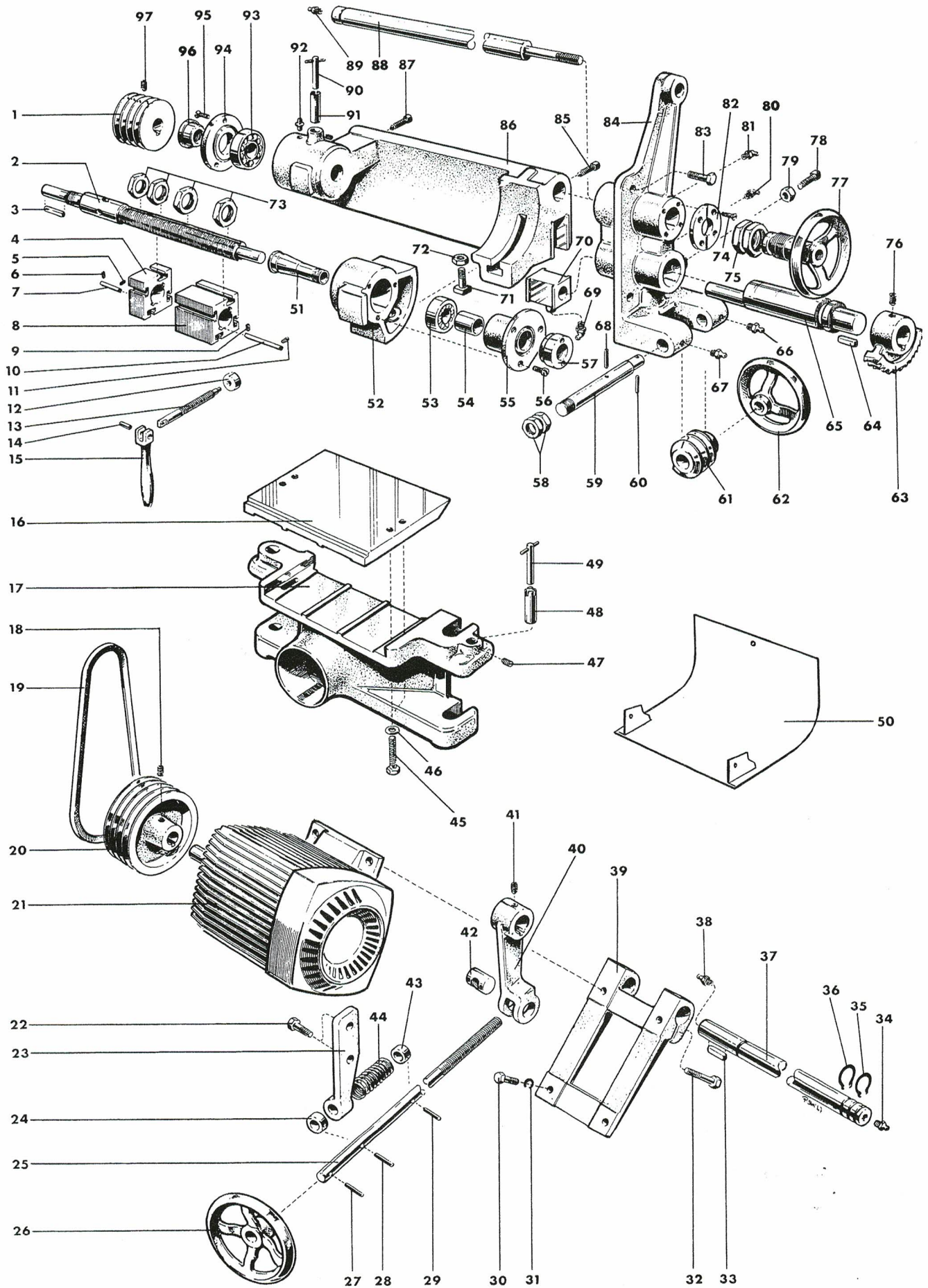
1 NR-175x18 Handwheel	55 B6LS-12x40 Bolt
2 KP-5x36 Taper pin	56 HE-25C Nut
3 SM-20x1,5 Nut	57 SKF-6308
4 SRU-20 Stop ring	58 H-90-60 Cover
5 HE-15V Bolt	59 KK-40x1,5H Ball bearing nut
6 RK-10x100 Key	60 ECS-8x19 Bolt
7 SnD6 Lubricating nipple	61 SnAKR 1/8" Lubricating nipple
8 HE-4-2 Intermediate slide, rear	62 SnCKR 1/8" Lubricating nipple
9 HE-27D Slide part	63 HE-2L Side head frame, rear
10 B6LS-16x40 Bolt	64 HP-131L Support
11 HE-5x Slide part	
12 CS-10-20x14 Bolt	
13 LB6M-10 Nut	
14 T4SS-10x40 Adjusting screw	
15 Spf-6-18x75-7 V Helical spring	
16 HP-136C Clamp bolt	
17 RH-66 Nut	
18 HR-72A Bell crank lever	
19 FS-6x19 Bolt	
20 BK-62-35,5 F Cover	
21 SKF-6206 Ball bearing	
22 NH-30x22 Sleeve	
23 SKF-6206 Ball bearing	
24 HR-53B Tightening roll	
25 BRK-30x45 Washer	
26 SgA-30 Retaining ring	
27 AK-62F Cover	
28 FS-6x19 Bolt	
29 75x2085x3,5 Endless belt	
30 HE-10-6 Belt pulley	
31 S6SS-12x22 Stop screw	
32 HP-35-1 Belt pulley	
33 RK-10x67 Key	
34 M132 SB 38-2 10 hp motor	
35 HR-73A Pin	
36 HR-74A Pin	
37 S6SS-12x22 Stop screw	
38 BRB-17x30 Washer	
39 B6M-16 Nut	
40 SnBKR 1/8" Lubricating nipple	
41 FBB-16,2 Spring washer	
42 B6LS-16x45 Bolt	
43 FBB-10,2 Spring washer	
44 B6LS-10x35 Bolt	
45 B6LS-12x35 Bolt	
46 BRB-13x22 Washer	
47 KK-40x1,5 V Ball bearing nut	
48 ECS-8x19 Bolt	
49 H-90-60 Cover	
50 BRK-40x49 Washer	
51 SKF-6308 Ball bearing	
52 Spf-1,2-5x16-6 V Helical spring	
53 SgA-35 Retaining ring	
54 HE-14-3 Side head spindle, rear	

Top head



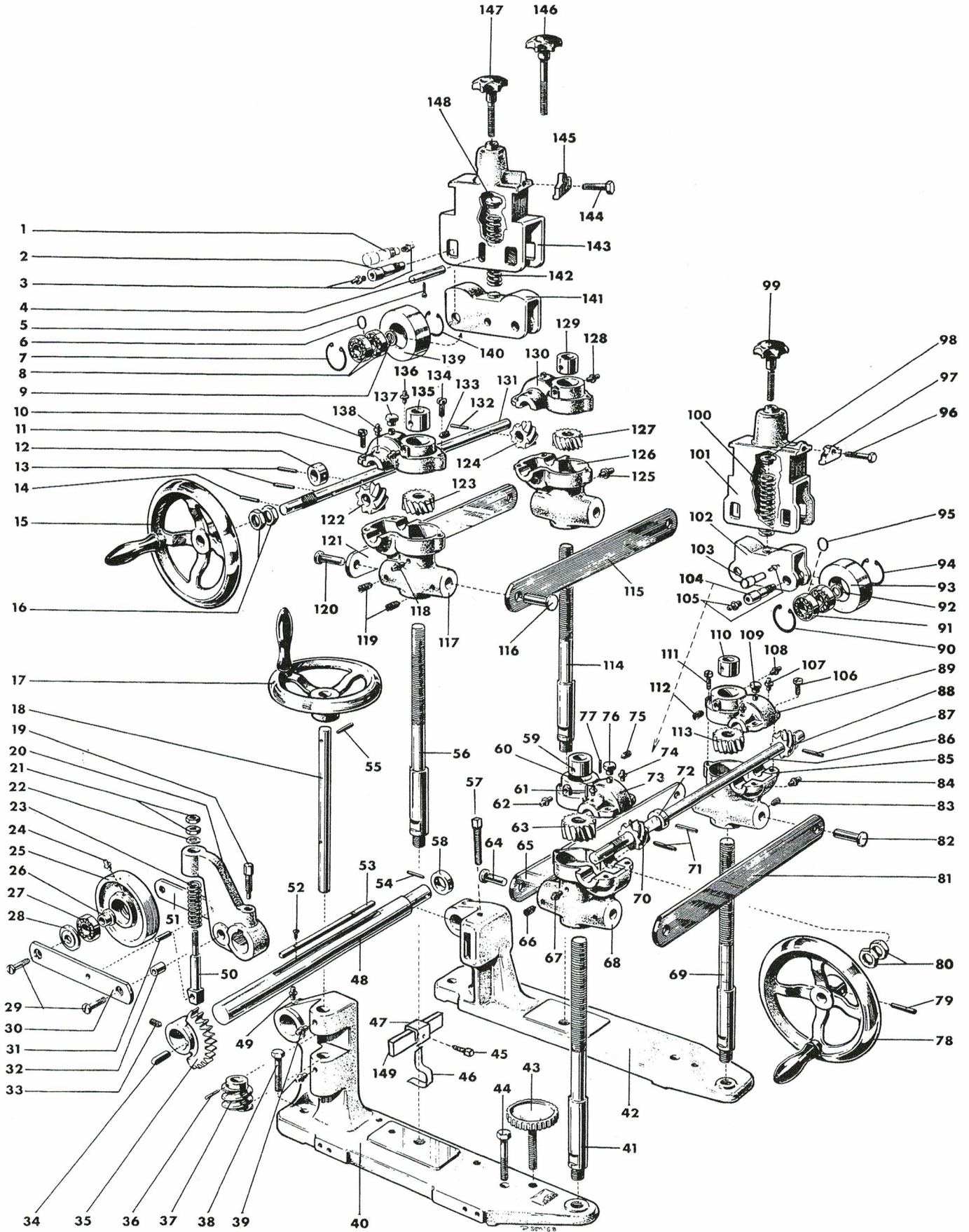
1	SM-20x1,5 Nut	55	HF-25B Centering cone	108	KP-5x40 Taper pin
2	NR-220x18 Handwheel with handle	56	HF-20D Cutterblock	109	SnD6 Lubricating nipple
3	LB6M-20 Nut	57	HF-13-11 Spindle	110	ECS-5x10 Ni Bolt
4	HF-69 Washer	58	PS-16x115 Stud bolt	111	PS-20x135 Stud bolt
5	PS-20x135 Stud bolt	59	TBRB-17x34 Washer	112	Spf-6-21x38-3 V Helical spring
6	HF-62B Lock bolt	60	B6M-16 Nut	113	PS-20x135 Stud bolt
7	HF-59C Block	61	HF-50M Nut	114	PHA-57G Pointer
8	LB6M Nut	62	S6SS-8x10 Stop screw	115	BRB-5,3x10 Ni Washer
9	HF-69 Washer	63	20x85 Stop pin	116	ECS-5x10 Ni Bolt
10	PS-20x135 Stud bolt	64	RK-14x8 Key	117	LB6M-16 Nut
11	HF-62B Lock bolt	65	HE-65A Nut	118	HP-139 Washer
12	HF-59B Block	66	FS-10x40 Bolt	119	Spf-11-32x180-11 V Helical spring
13	Spf-6-21x38-3 V Helical spring	67	HE-9D Cover	120	HP-136 B Spring screw
14	SRU-20 Stop ring	68	HE-6K Bearing cap	121	NS-16x62 Pin
15	SM-20x1,5 Nut	69	SKF-6310 Ball bearing	122	SgA-16 Retaining ring
16	NR-170x18 Handwheel	70	SnAKR 1/8" Lubricating nipple	123	HF-30P Chip hood
17	HF-15S Adjusting screw	71	HF-5L Slide part	124	M160MA 142-2 Motor
18	KP-5x40 Taper pin	72	B6LS-16x80 Bolt	125	RK-12x90 Key
19	KP-5x36 Taper pin	73	HF-5M Slide part	126	SgA-40 Retaining ring
20	SnD6 Lubricating nipple	74	HF-49 (15VU) Scale	127	HP-77E Shaft
21	B6LS-10x25 Bolt	75	107-85 Support	128	HP-131F Support
22	HF-54C Guide rail	76	RB-5/8" Rail bolt	129	B6LS-16x50 Bolt
23	SS10x20 Pin	77	107-138 Bearing frame	130	FRP-10x40 Elastic hollow pin
24	HF-19A Nut	78	EC6S-12x45 Bolt	131	S6SS-12x22 Stop screw
25	RB-5/8"x140 Rail bolt	79	5/8" \varnothing x3" Oilstone	132	SnD6 Lubricating nipple
26	HF-2A Nut	80	HF-44B Nut	133	HP-69-9 Motor bracket
27	HF-15R Bolt	81	HF-43D Oilstone holder	134	B6LS-12x45 Bolt
28	LB6LM-10 Nut	82	HF-47B Adjusting screw	135	FBB-12,2 Spring washer
29	PS-10x40 Stud bolt	83	HF-48B Lock bolt	136	S6SS-10x16 Stop screw
30	HF-49A Pointer	84	B6LS-8x30 Bolt	137	47A7-160B Belt pulley
31	BRB-5,3x10N1 Washer	85	BRB-8,4x16 Washer	138	47A7-95 Belt pulley
32	ECS-5x10 Ni Bolt	86	HF-42E Trueing slide	139	38A V-belt
33	HF-6S Bearing housing	87	SM-12x1 Nut	140	HF-38F Belt pulley
34	HF-74 Lug	88	HF-48C Star knob	141	S6SS-10x16 Stop screw
35	B6LS-10x30 Bolt	89	CS-6-12x14 Bolt	142	ECS-8x19 Bolt
36	LB6M-10 Nut	90	HF-45D Slide part		
37	PS-10x25 Stud bolt	91	HF-68 Guard		
38	FRP-5x20 Elastic hollow pin	92	ECS-6x16 Bolt		
39	HF-7L Bearing cap	93	HF-41x Trueing beam		
40	HF-35 Nut	94	HF-53E Lever with Isolite ball 45		
41	HF-13-8 Nut	95	Rk-6x25 Key		
42	HF-28E End cover	96	KP-6x50 Taper pin		
43	ECS-10x40 Bolt	97	SRU-25 Stop ring		
44	HF-29 Pin	98	SKF-51105 Ball bearing		
45	S6SS-10x16 Stop screw	99	HF-17 C Spiral gear		
46	Spf-1,25-6x55-30 V Helical spring	100	BRB-21x40 Washer		
47	Steel ball 8	101	SM-20x1,5 Nut		
48	SKF-6310 Ball bearing	102	1/8" Lubricating plug		
49	S6SS-6x8 Bolt	103	ECS-6x30 Bolt		
50	Spf-1,2-5x16-6 V Helical spring	104	HF-28C Protective cover		
51	SnAKR 1/8" Lubricating nipple	105	HB-49 Spiral gear		
52	HF-12J Sleeve	106	KP-5x36 Taper pin		
53	ECS-16x40 Bolt	107	HF-16F Shaft		
54	HF-13-4 Nut				

Beading head



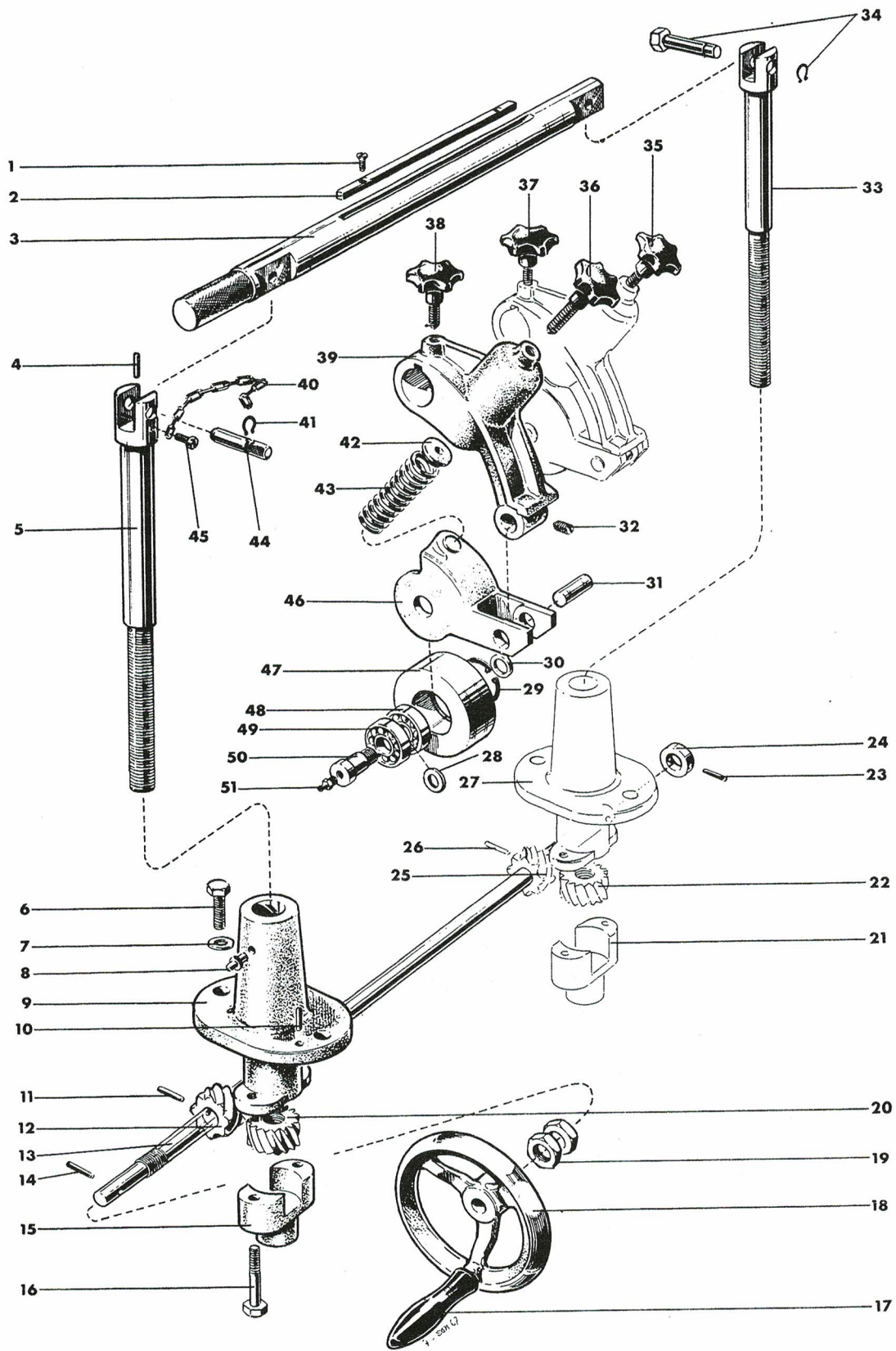
1	47A4-100B Belt pulley	55	HH-7L Bearing pedestal
2	HH-14-13 Beading head spindle	56	ECS-8x25 Bolt
3	RK-10x60 Flat key	57	HH-12H Nut
4	HH-17P Cutterblock	58	SM-20x1,5 Nut
5	FRP-4x16 Elastic pin	59	HH-27K Shaft
6	FRP-4x16 Elastic pin	60	KP-5x40 Taper pin
7	GK-10x50 Key	61	HM-33D Worm
8	HH-17R Cutterblock	62	NR-170x20 Handwheel
9	FRP-4x16 Elastic pin	63	HM-34 Worm gear
10	GK-10x125 Key	64	RK-12x44 Key
11	FRP-4x16 Elastic pin	65	HH-2J Eccentric shaft
12	HH-44D Tightening block	66	SnD6 Lubricating nipple
13	HA-56L Lock bolt	67	SnD6 Lubricating nipple
14	CP-5x30 Cyl. pin	68	KP-5x40 Taper pin
15	HA-54A Handle	69	SnCKR 1/8" Lubricating nipple
16	HA-24S Table plate	70	HH-28E Block
17	HA-17-3 Beading head table	71	16x60 T-bolt
18	S6SS-10x16 Stop screw	72	B6LM-16 Nut
19	42A V-belt	73	HH-37A Nut
20	47A4-170H Belt pulley	74	FS-8x25 Bolt
21	M 132S 38-2 Motor	75	SM-40x1,5 Nut
22	B6LS-16x50 Bolt	76	S6SS-12x22 Stop screw
23	HP-137A Bearing	77	HH-49E Handwheel
24	SRU-20 Stop ring	78	T4SS-16x60 Adjusting screw
25	HP-72F Bolt	79	LB6M-16 Nut
26	NR-170x20 Handwheel	80	SnCKR 1/8" Lubricating nipple
27	KP-5x40 Taper pin	81	SnCKR 1/8" Lubricating nipple
28	KP-5x36 Taper pin	82	HH-22A Washer
29	KP-5x36 Taper pin	83	B6LS-16x50 Bolt
30	B6LS-10x35 Bolt	84	HH-3E Bearing
31	FBF-10,2 Spring washer	85	T4SS-16x50 Stop screw
32	B6LS-16x60 Bolt	86	HH-4-11 Cutterhead frame
33	RK-12x50 Key	87	T4SS-16x50 Stop screw
34	SnD8 Lubricating nipple	88	HH-1E Shaft
35	SgA-40 Retaining ring	89	SnAKR 1/8" Lubricating nipple
36	SgA-40 Retaining ring	90	HLF-33A 20x85 Stop pin
37	HP-77N Shaft	91	HLF-33B
38	SnD8 Lubricating nipple	92	SnD6 Lubricating nipple
39	HP-69-28 Motor bracket	93	SKF-6308 Ball bearing
40	HP-138 Lever	94	H-9--60 Cover
41	S6SS-12x22 Stop screw	95	ECS-8x19 Bolt
42	TMR-89 Nut	96	KK-40x1,5H Ball bearing nut
43	SRU-20 Stop ring	97	S6SS-10x16 Stop screw
44	Spf 5,5-22x85-10 V Helical spring		
45	B6LS-16x80 Bolt		
46	TBRB-17x34 Washer		
47	S6SS-8x10 Stop screw		
48	HLF-33A Stop pin <i>stop pin</i>		
49	HH- 33B <i>33B</i>		
50	HH-30K Chip plate		
51	HH-11K Sleeve		
52	HH-6x Bearing housing		
53	SKF-2307K Ball bearing		
54	NH-35x50 Sleeve		

Top pressure



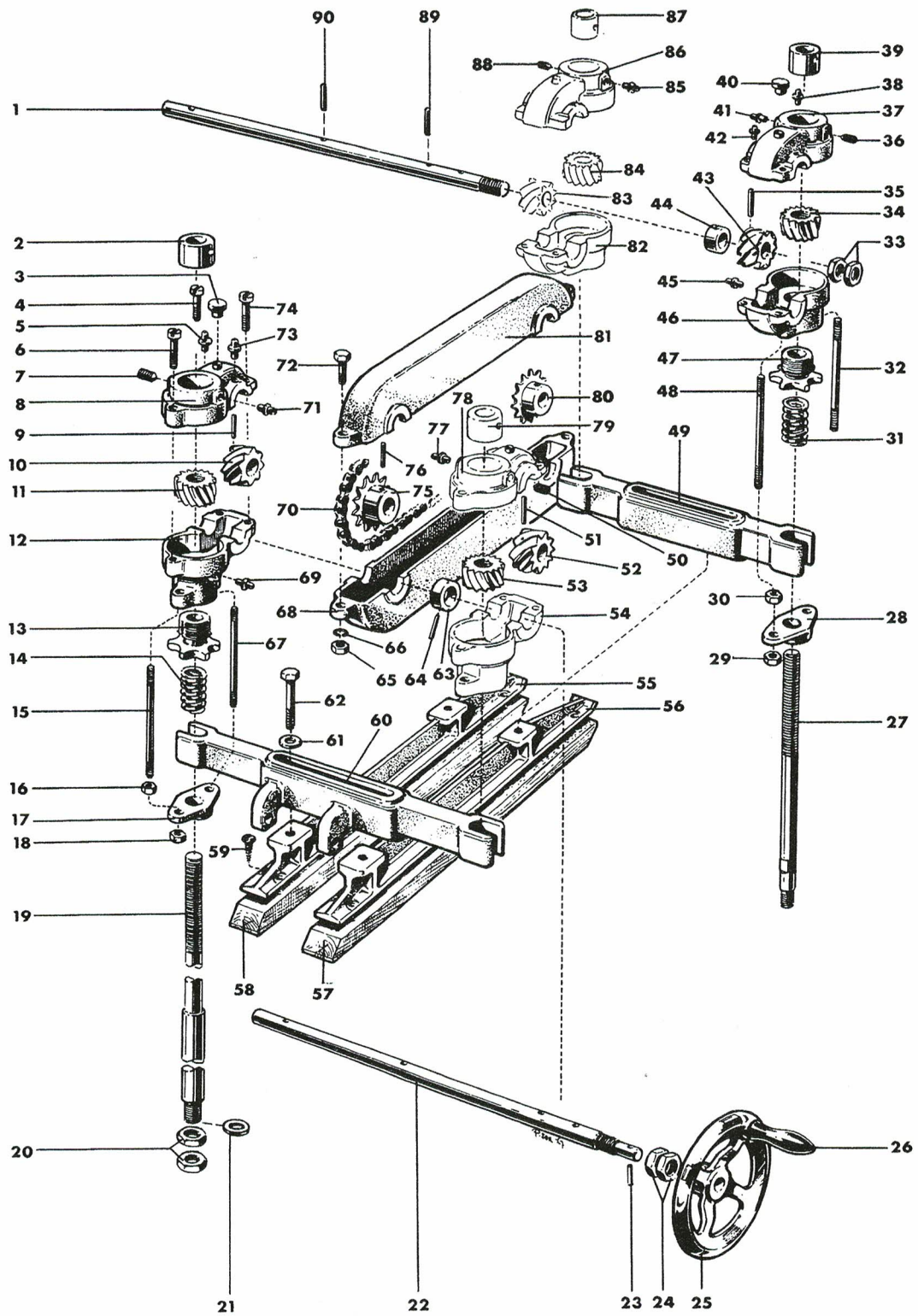
1	HM-93-8 Pin,pressure roll	53	HM-126E Key	106	ECS-8x25 Bolt
2	HM-93-7 Pin,pressure roll	54	KP-6x50 Taper pin	107	SnD6 Lubricating nipple
3	SnCKR 1/8" Lubricating nipple	55	KP-5x40 Taper pin	108	SnD6 Lubricating nipple
4	HM-93U Pivot pin	56	HM-22P Pressure bolt	109	1/8" Lubricating plug
5	SP-3x19 Cotter pin	57	T4SS-12x35 Stop screw	110	HM-91 N Bush
6	PS-20x28x0,3 Spacer	58	SRU-30 Stop ring	111	ECS-8x30 Bolt
7	SgH-47 Retaining ring	59	HM-91N Bush	112	S6SS-10x16 Bolt
8	SKF-6204Z Ball bearing	60	SnD6 Lubricating nipple	113	HM-34 F Spiral gear
9	NH-20x6 Sleeve	61	FRP-4x20 Elastic hollow pin	114	HM-22 P Pressure bolt
10	ECS-8x25 Bolt	62	SnD6 Lubricating nipple	115	HM-46 L Pressure bar
11	HC-45C Gear case	63	HM-34F Spiral gear	116	NT-20x50 Stud
12	SRU-20 Stop ring	64	NT-20x50 Stud	117	HM-39 H Gear case
13	KP-5x36 Taper pin	65	HM-46M Pressure bar	118	SnD6 Lubricating nipple
14	KP-5x40 Taper pin	66	S6SS-10x16 Bolt	119	S6SS-10x16 Bolt
15	NR-220x18 Handwheel with handle 90	67	SnD6 Lubricating nipple	120	NT-20x50 Stud
16	SM-20x1,5 Nut	68	HM-39J Gear case	121	HM-46 L Pressure bar
17	NR-170x20 Handwheel with handle 90	69	HM-21Y Pressure bolt	122	HB-49 Spiral gear
18	HM-44F Shaft, worm	70	HB-49 Spiral gear	123	HM-34 G Spiral gear
19	HB-117B Lock bolt	71	KP-5x36 Taper pin	124	HB-49 Spiral gear
20	HM-58M Pressure arm	72	SRU-20 Stop ring	125	SnD6 Lubricating nipple
21	LB6LM-12 Nut	73	HC-45B Gear case	126	HM-39 J Gear case
22	BRB-13x22 Washer	74	SnD6 Lubricating nipple	127	HM-34 G Spiral gear
23	Spf-8,5-25x110-8 V Helical spring	75	S6SS-10x16 Bolt	128	SnD6 Lubricating nipple
24	SnD6 Lubricating nipple	76	1/8" Lubricating plug	129	HM-91 N Bush
25	HM-88J Pressure roll	77	FRP-4x20 Elastic hollow pin	130	HC-45 B Gear case
26	HM-90F Sleeve	78	NR-220x18 Handwheel with handle 90	131	HM-42x Shaft
27	SKF-6204 Ball bearing	79	KP-5x40 Taper pin	132	KP-5x36 Taper pin
28	HM-91M Washer	80	SM-20x1,5 Nut	133	S6SS-10x16 Bolt
29	HM-92C Bolt	81	HM-46M Pressure bar	134	ECS-8x30 Bolt
30	HM-95G Plate	82	NT-20x50 Stud	135	HM-91 N Bush
31	HM-93 Pin	83	S6SS-10x16 Bolt	136	SnD6 Lubricating nipple
32	HM-90A Sleeve	84	SnD6 Lubricating nipple	137	1/8" Lubricating plug
33	S6SS-12x22 Stop screw	85	HM-39H Gear case	138	SnD6 Lubricating nipple
34	RK-12x44 Key	86	HM-42V Shaft	139	HM-86 T Pressure roll
35	HM-34 Worm gear	87	KP-5x36 Taper pin	140	SgH-47 Retaining ring
36	KP-5x40 Taper pin	88	HB-49 Spiral gear	141	HM-67-1 Link
37	HM-33D Worm	89	HC-45C Gear case	142	Spf-9-32x160-10 V Helical spring
38	B6LS-16x90 Bolt	90	SgH-47 Retaining ring	143	HM-53 K Spring case
39	SnD6 Lubricating nipple	91	SKF-6204Z Ball bearing	144	B6LS-16x45 Bolt
40	HM-11-9 Crossbar	92	NH-20x6 Sleeve	145	HM-53 H Clamp washer
41	HM-21Y Pressure bolt	93	HM-86 T Pressure roll	146	R8S-16x125 Star knob
42	HM-12-5 Crossbar	94	SgH-47 Retaining ring	147	R8S-16x80 Star knob
43	R8S-16x100 Knurled knob	95	PS-20x28x0,3 Spacer	148	HM-62 C Washer
44	B6LS-16x90 Bolt	96	B6LS-16x45 Bolt	149	HM-69 Pressure bar
45	S4SS 12x35 Stop screw	97	HM-53H Clamp washer		
46	HM-70 Pressure spring	98	HM-62 A Washer		
47	HM-71 Pressure attachment	99	R6S-12x80 Star knob		
48	HM-48-4 Pressure shaft	100	Spf-7-25x165-14 V Helical spring		
49	SnD6 Lubricating nipple	101	HM-52 F Spring case		
50	HM-73C Bolt	102	HM-67 Z Link		
51	HM-96A Plate	103	HM-93-8 Stud,pressure roll		
52	FS-6x19 Bolt	104	HM-93-7 Stud,pressure roll		
		105	SnCKR 1/8" Lubricating nipple		

Top pressure



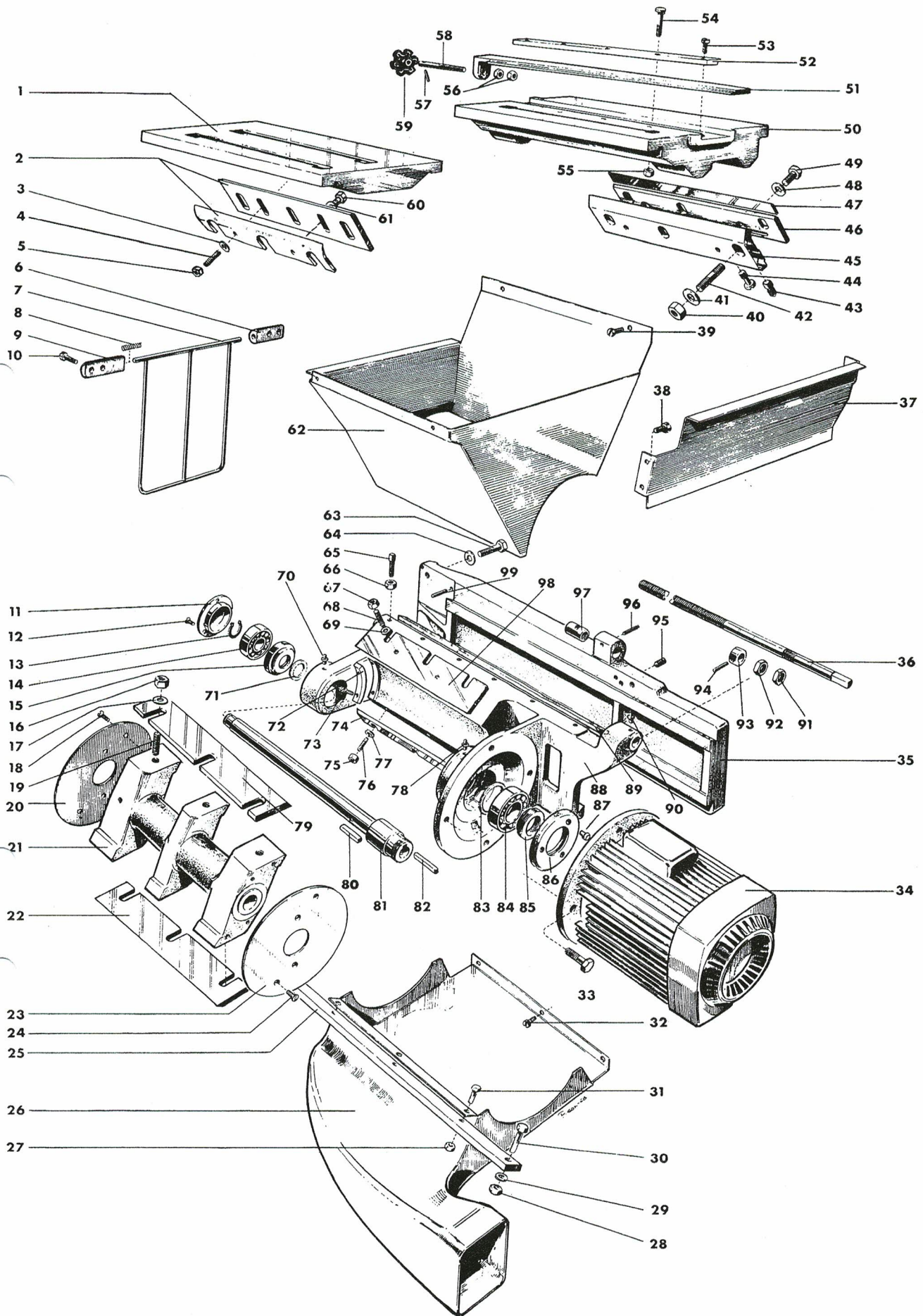
- 1 FS 6x19 Bolt
- 2 HM-126 E Key
- 3 HM-49 S Pressure shaft
- 4 CP 6x35 Cyl. pin
- 5 HM-24-13 Pressure bolt
- 6 B6LS 16x40 Bolt
- 7 BRB 17x30 Washer
- 8 SnD6 Lubricating nipple
- 9 HM-127 B Bearing sleeve
- 10 FRP 6x28 Elastic hollow pin
- 11 KP 5x36 Taper pin
- 12 HB-49 Spiral gear
- 13 HM-43 G Shaft
- 14 KP 5x40 Taper pin
- 15 HM-128 Bearing
- 16 BSLS-10x60 Bolt
- 17 Handle 90
- 18 NR-170x18 Handwheel
- 19 SM-20x1,5 Nut
- 20 HM-34 F Spiral gear
- 21 HM-128 Bearing
- 22 HM-34 F Spiral gear
- 23 KP 5x36 Taper pin
- 24 SRU-20 Stop ring
- 25 HB-49 Spiral gear
- 26 KP 5x36 Taper pin
- 27 HM-127 B Bearing sleeve
- 28 PS-20x28x0,3 Spacer
- 29 SgH 47 Retaining ring
- 30 NH-20x6 Sleeve
- 31 CP-20x55 Cyl.pin
- 32 S6SS 8x10 Stop screw
- 33 HM-24-14 Pressure screw
- 34 NS 16x47 Stud with circlip
- 35 R6S-12x80 Star knob
- 36 R6S-12x50 Star knob
- 37 R6S-12x60 Star knob
- 38 R6S-12x30 Star knob
- 39 HM-54B Spring case
- 40 2x150 Chain
- 41 SgA-16 Retaining ring
- 42 HM-62 A Washer
- 43 Spf7-25x165-14 V Helical spring
- 44 HM-32 Pin
- 45 ECS-4x8 Bolt
- 46 HM-68 B Link
- 47 HM-86 T Pressure roll
- 48 SKF 6204 Z Ball bearing
- 49 SKF 6204 Z Ball bearing
- 50 HM-93-6 Stud, right
HM-93-5 Stud, left
- 51 SnCKR 1/8" Lubricating nipple

Top pressure



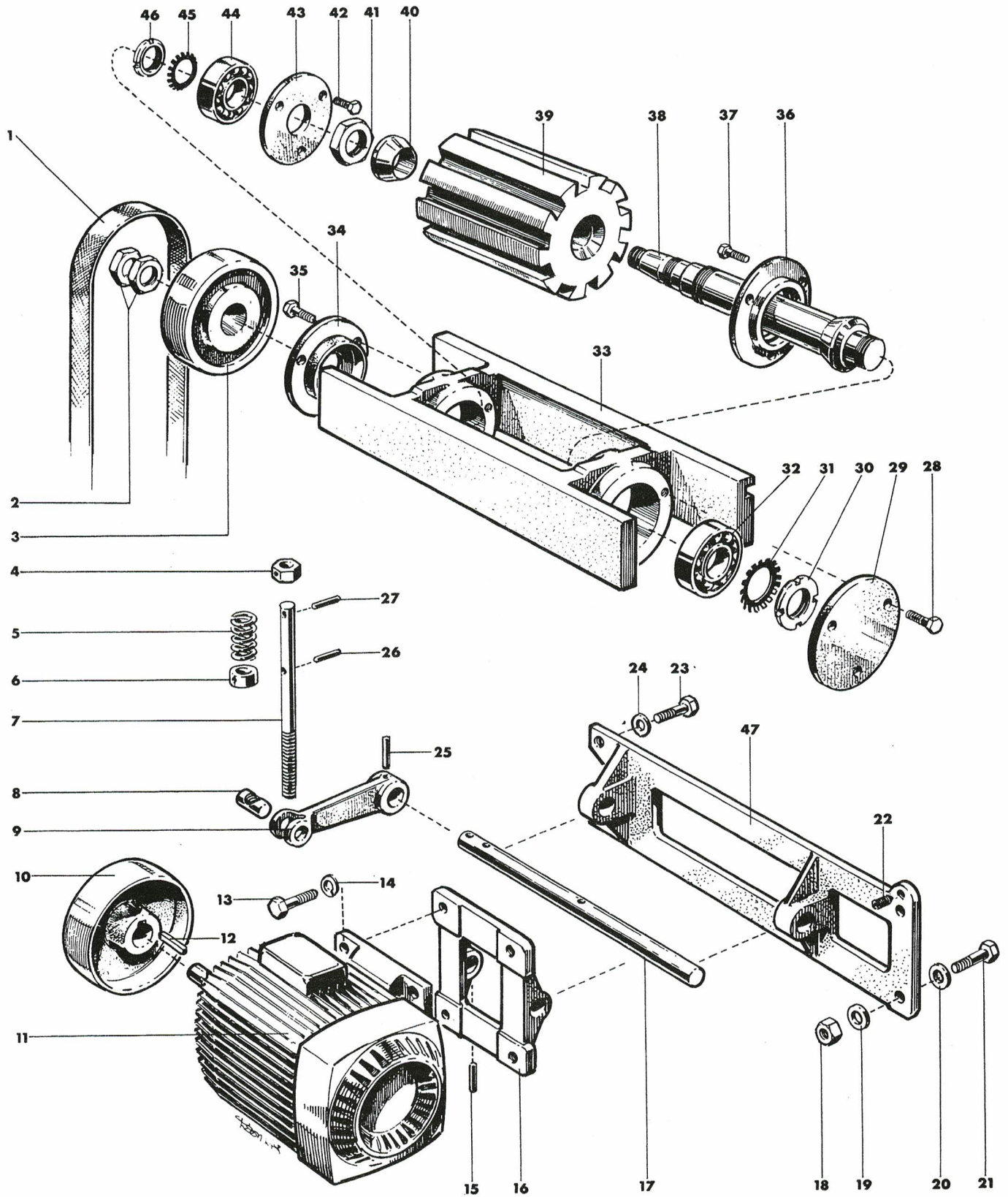
1	HM-45 L Shaft	55	HM-113 K Sliding pressure
2	HM-91 N Bush	56	HM-113 K Sliding pressure
3	R 1/8" Lubricating plug	57	HM-113 H Sliding pressure (beech)
4	ECS-8x25 Bolt	58	HM-113 H Sliding pressure (beech)
5	SnD6 Lubricating nipple	59	1 1/4" NR 12 Wood screw,convex
6	ECS-8x30 Bolt	60	HM-51 J Pressure bar
7	S6SS-10x16 Stop screw	61	TBRB-13x28 Washer
8	HC-45 B Gear case	62	B6LS-12x80 Bolt
9	KP-5x36 Taper pin	63	SRU-20 Stop ring
10	HB-49 Spiral gear	64	KP-5x36 Taper pin
11	HM-34 F Spiral gear	65	B6LM-6 Nut
12	HM-39 P Gear case	66	FBB-6,1 Spring washer
13	HM-63 F Tightening nut	67	HM-56 F Stud bolt
14	Spf 7-27x50-4 V Helical spring	68	107-226 Case
15	HM-56 F Stud bolt	69	SnD6 Lubricating nipple
16	B6LM-8 Nut	70	1/2" Bicycle chain 50 links incl. chain joint
17	HM-56 E Washer	71	SnD6 Lubricating nipple
18	B6LM-8 Nut	72	B6LS-6x30 Bolt
19	HM-19 P Pressure bolt	73	SnD6 Lubricating nipple
20	SM-30x1,5 Nut	74	ECS-8x25 Bolt
21	HE-18 Washer	75	HM-30 E Chain wheel hub with sprocket
22	HM-45 M Shaft	76	KP-5x40 Taper pin
23	KP-5x40 Taper pin	77	SnD6 Lubricating nipple
24	SM-20x1,5 Nut	78	HC-45 C Gear case
25	NR-220x18 Handwheel	79	HM-91 N Bush
26	Handle 90	80	HM-30 E Chain wheel hub with sprocket
27	HM-24-7 Pressure bolt	81	107-226 Case
28	HM-56 E Washer	82	HM-39 R Gear case
29	B6LM-8 Nut	83	HB-49 Spiral gear
30	B6LM-8 Nut	84	HM-34 G Spiral gear
31	Spf 7-27x50-4 V Helical spring	85	SnD6 Lubricating nipple
32	HM-56 F Stud bolt	86	HC-45 C Gear case
33	SM-20x1,5 Nut	87	HM-91 N Bush
34	HM-34 G Spiral gear	88	S6SS-10x16 Stop screw
35	KP-5x36 Taper pin	89	KP-5x36 Taper pin
36	S6SS-10x16 Stop screw	90	KP-5x40 Taper pin
37	HC-45 B Gear case		
38	SnD6 Lubricating nipple		
39	HM-91 N Bush		
40	R 1/8" Lubricating plug		
41	SnD6 Lubricating nipple		
42	SnD6 Lubricating nipple		
43	HB-49 Spiral gear		
44	SRU 20 Stop ring		
45	SnD6 Lubricating nipple		
46	HM-39 P Gear case		
47	HM-63 F Tightening nut		
48	HM-56 F Stud bolt		
49	HM-51 H Pressure bar		
50	S6SS-10x16 Stop screw		
51	KP-5x36 Taper pin		
52	HB-49 Spiral gear		
53	HM-34 F Spiral gear		
54	HM-39 R Gear case		

Chip chopper



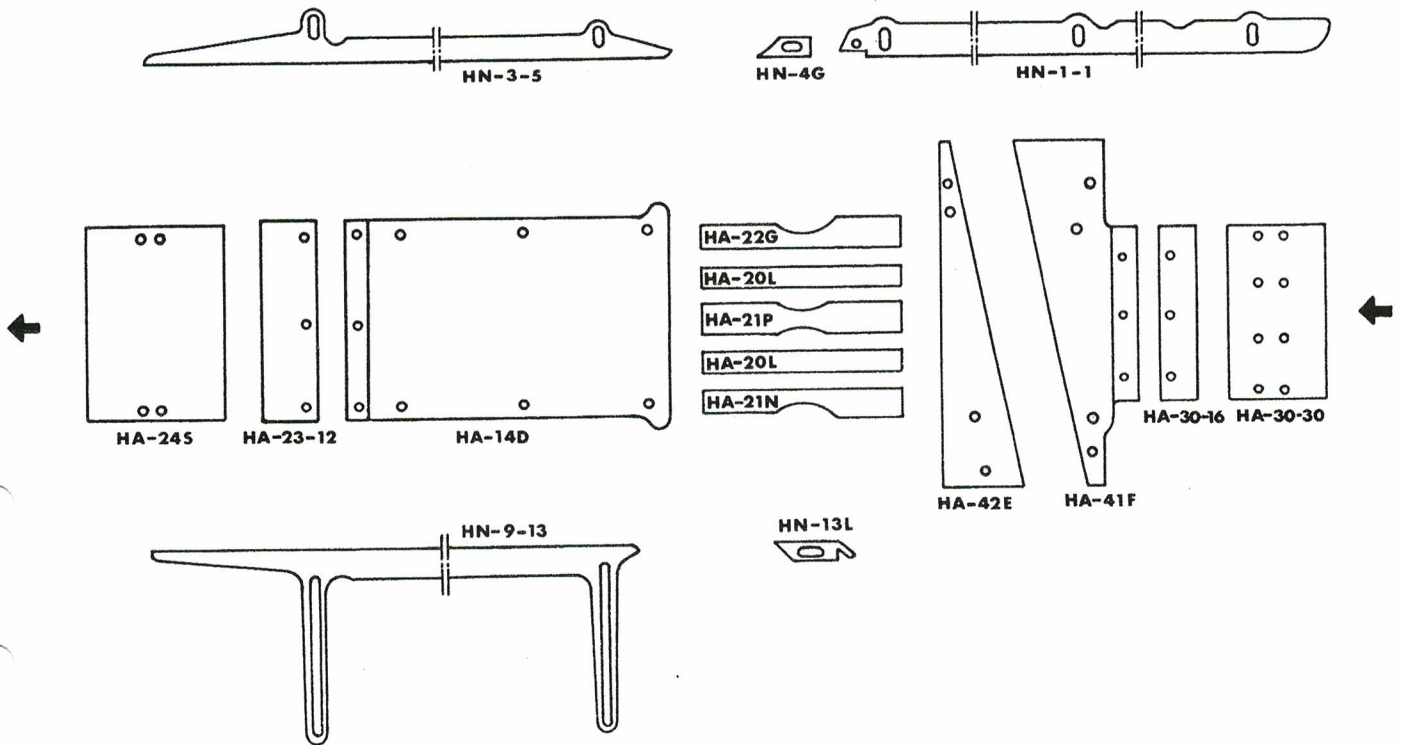
1	HJ-12 F Knife box	55	B6LM-12 Nut
2	224 A Knife with cap	56	LB6LM-12 Nut
3	HJ-23 Washer	57	CP-4x25 Cyl. pin
4	PS-16x65 Stud bolt	58	HJ-41 Adjusting screw
5	B6LM-16 Nut	59	R6H-12 Star knob
6	HS-35 Bearing	60	B6LS-10x30 Bolt
7	HS-34 A Guard	61	TBRB 10x22 Washer
8	SpF-1,5-6x44-17 V Helical spring	62	HS-31 D Chip hood
9	HS-35 B Bearing	63	B6LS-16x60 Bolt
10	ECS-8x30 Bolt	64	TBRB-17x34 Washer
11	AK-72 F Cover	65	T4SS-10x35 Bolt
12	FS-6x19 Bolt	66	LB6LM-10 Nut
13	SgA-30 Retaining ring	67	B6LM-16 Nut
14	SKF-6306 Ball bearing	68	PS-16x45 Stud bolt
15	c-72-35,5 Cover	69	BRB-16x30 Washer
16	B6LM-16 Nut	70	SnD6 Lubricating nipple
17	BRB-16x30 Washer	71	3x5x126 Felt gasket
18	FS-6x12 Bolt	72	HS-29 Adjusting sector
19	PS-16x45 Stud bolt	73	ECS-8x30 Bolt
20	HS-16 B Plate disc	74	1480 Knife
21	HS-15 D Cutterblock	75	B6LM-16 Nut
22	1479 Knife	76	PS-16x45 Stud bolt
23	HS-16 C Plate disc	77	BRB-16x30 Washer
24	FS-6x12 Bolt	78	SnD6 Lubricating nipple
25	HS-32 A Supporting bar	79	1479 Knife
26	HS-30 B Chip hood	80	RK-10x50 Flat key
27	B6LM-6 Nut	81	HS-18-5 Cutterhead spindle
28	B6LM-16 Nut	82	RK-8x65 Key
29	TBRB-17x34 Washer	83	3x5x185
30	B6LS-16x70 Bolt	84	SKF-6209 Ball bearing
31	B6LS-6x30 Bolt	85	KM-45x1,5 V Ball bearing nut
32	ECS-6x12 Bolt	86	BK-85-65,5 F Cover
33	B6LS-12x35 Bolt	87	FS-8x25 Bolt
34	M-112M28F-215/4 Motor	88	107-126 Cutterhead frame
35	HS-2 G Slide	89	HS-3 E Slide part
36	HS-33 A Bolt	90	SnD6 Lubricating nipple
37	HS-31 C Chip plate	91	SM-20x1,5 Nut
38	ECS-6x12 Bolt	92	SM-20x1,5 Nut
39	ECS-6x12 Bolt	93	SRU-20 Stop ring
40	B6LM-16 Nut	94	KP-5x36 Taper pin
41	BRB-17x30 Washer	95	S6SS-12x22 Adjusting screw
42	PS-16x70 Stud bolt	96	KP-4x32 Taper pin
43	MD-23 C Bolt	97	HS-36 Nut
44	HJ-43 Adjusting screw	98	1480 Knife
45	HJ-37 Cap	99	CP-10x40 Cyl. pin
46	HJ-38 Supporting rail		
47	35x3x330 Self-hardening knife		
48	TBRB-17x34 Washer		
49	B6LS-16x30 Bolt		
50	HJ-12 G Knife box		
51	HJ-39 Table rail		
52	HJ-40 Guide strip		
53	ECS-10x30 Bolt		
54	HJ-42 Bolt		

Rotating multi-knife head



- 1 40x1440 Endless belt type L1BT
- 2 SM-40x1,5 Nut
- 3 2015-632 Pulley
- 4 B6LM-16 Nut
- 5 Spf:5-18x50-5-winding helical spring
- 6 SRU-20 Stop ring
- 7 HP-72 L Tightening bolt
- 8 RH-66 Nut
- 9 RH-61 P Tightening lever
- 10 FUM-3-112 Pulley
- 11 M 132 SB 38-2 10 hp motor
- 12 RK-10x80 Key
- 13 B6LS-10x45 Bolt
- 14 FBB-10,2 Spring washer
- 15 KP-8x60 Taper pin
- 16 HP-69-20 Motor bracket
- 17 HP-77x Shaft
- 18 B6LM-16 Nut
- 19 TBRB-17x34 Washer
- 20 TBRB-17x34 Washer
- 21 B6LS-16x90 Bolt
- 22 S6SS-12x22 Stop screw
- 23 B6LS-16x60 Bolt
- 24 TBRB-17x34 Washer
- 25 KP-8x60 Taper pin
- 26 KP-4x32 Taper pin
- 27 KP-4x32 Taper pin
- 28 B6LS-10x19 Bolt
- 29 2015-624 Cover
- 30 KM-10 Ball bearing nut
- 31 MB-10 Lock washer
- 32 SKF-6310 Ball bearing
- 33 2215-32 Cutterhead frame
- 34 2015-625 Cover
- 35 B6LS-10x19 Bolt
- 36 2015-623 Cover
- 37 B6LS-10x19 Bolt
- 38 2215-31 Spindle
- 39 2215-30 Cutterblock, complete Knife
255x30x3
- 40 2015-637 Centering
- 41 2015-636 Nut
- 42 B6LS-10x19 Bolt
- 43 2015-626 Cover
- 44 SKF-6310 Ball bearing
- 45 MB-10 Lock washer
- 46 KM-10 Ball bearing nut
- 47 HP-131 M Support
107-137 Chip hood

List of tables



H-45K/Z with knife box

Tables

- 1 table HA-30-30 (HA-30-3 for machine no. lower than 69750)
- 1 table HA-30-16
- 1 table HA-41F
- 1 table HA-42E
- 1 table HA-21N (HA-21S for machine no. lower than 56376)
- 1 table HA-22G (HA-22J for machine no. lower than 56376)
- 1 table HA-21P
- 2 table HA-20L
- 1 table HA-14D
- 1 table HA-23-12
- 1 table HA-24S

Fences

- 1 fence HN-1-1
- 1 fence HN-4G
- 1 fence HN-3-5
- 1 fence HN-13L
- 1 fence HN-9-13

H-46K/Z

Same as H-45K/Z except for:

Table HA-14D discontinued and replaced by 107-82

Fence HN-3-5 discontinued and replaced by 107-51

Fence HN-9-13 discontinued and replaced by 107-52

H-561K/Z

Same as H-45K/Z except for:

Table HA-41F and HA-42E discontinued and replaced by HA-14K

Fence HN-1-1 discontinued and replaced by HN-1-4

H-851K/Z

Same as H-45K/Z except for:

Table HA-14D discontinued and replaced by HA-14N and HA-16T

Fence HN-3-5 discontinued and replaced by HN-3-8 and HN-3-9

Fence HN-9-13 discontinued and replaced by HN-9-15 and HN-9-16

H-961K/Z

Same as H-45K/Z except for:

Table HA-41F and HA-42E discontinued and replaced by HA-14K

Fence HN-1-1 discontinued and replaced by HN-1-4

Table HA-14D discontinued and replaced by HA-14N and HA-16T

Fence HN-3-5 discontinued and replaced by HN-3-8 and HN-3-9

Fence HN-9-13 discontinued and replaced by HN-9-15 and HN-9-16

H-45K/Z, H-46K/Z, H-851K/Z with rotating multi-knife head

Same as for H-45K/Z with knife box except for:

Table HA-30-16, HA-41F, HA-42E discontinued and replaced by 2115-169

